

2-wire Temperature Transmitter for Duct Type



Application

1. Monitoring for long-distance temperature signal transmission.
2. Signal transfer from PT sensor to 4-20mA.
3. For industries in heating / ventilation / air conditioning / cooling / water power/ electricity, etc.
4. For process in agriculture / green house / environmental engineering / food / pharmaceutical industry.
5. Machinery manufacturing / storage tank / compressor / hydraulic equipment.

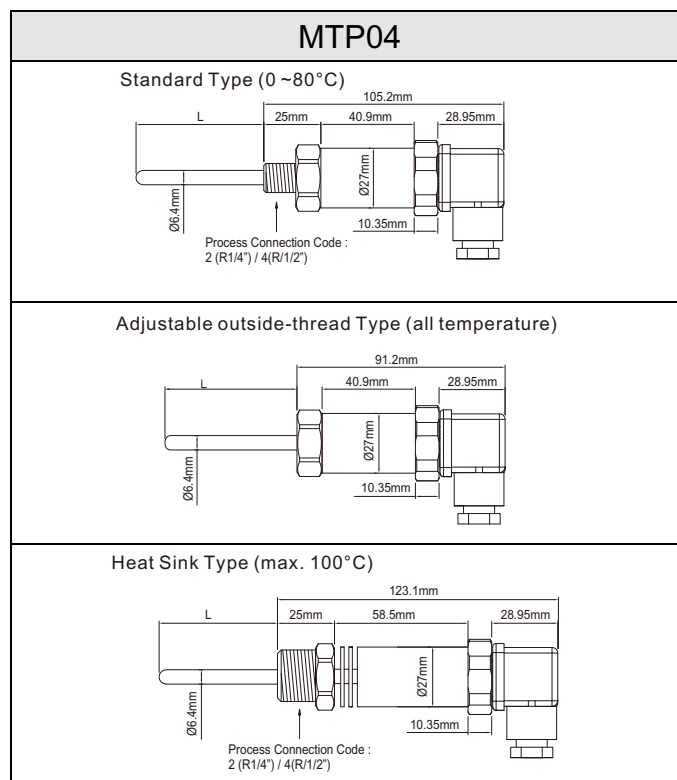
Features

1. SS housing, all-in design with anti-condensation function and good heat dissipation.
2. Good measuring repeatability and anti-interference.

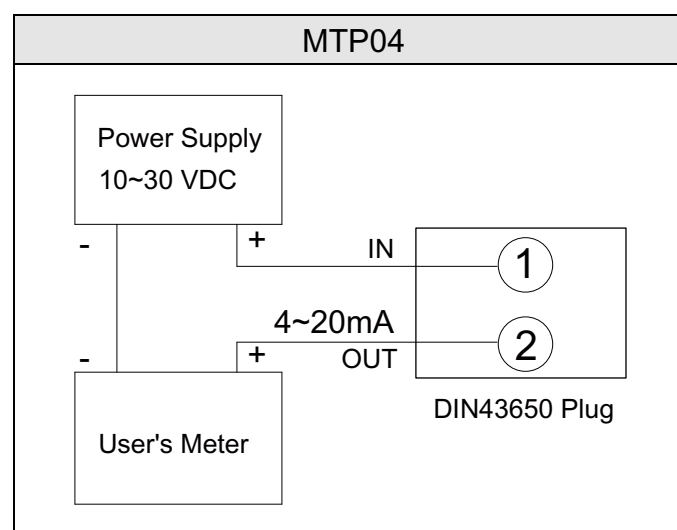
Standard Specification

INPUT	
Input	Pt100Ω
PT100Ω sensor current	< 0.8mA
ZERO adjustment range	±10 %
SPAN adjustment range	±10%
OUTPUT	
Output	4~20 mA ; 2-wire
Accuracy	±0.5 % of F.S.
Load resistance	≤ (supply voltage - 8 V) / 0.02A Ω
Power stability	±0.025% / V
Temperature drift	< ±0.015% FS / °C
Calibration temperature	20~28°C
Response time	< 250 ms
PROTECTION	
PT100Ω signal disconnection protection & output	> 23mA
PT100Ω signal short circuit, protection & output	< 3mA
Output polarity protection	Yes
ELECTRICAL SPECIFICATION	
Power supply	10~30 VDC
Working environment	-20~80°C ; 100% RH (non-cond.)
Storage temperature	-40~85°C
Electrical connector	DIN 43650 ABS
Protection degree	IP 65
Housing	SUS304
Weight	50mm - 250g 200mm - 260g
Option	30mm / 80mm / 130mm / 180mm R1/2" sleeve

External Dimension



Diagram



Order information

MTP – 04 – 1 1 4 1 – 1 0 N

A B C D E F G H

(A) Installation	(B) Input	(C) Output	(D) Process Connection
04 : duct-mounting	1 : PT100Ω	1 : 4~20mA (2-wire)	2 : outside thread R1/4" 4 : outside thread R1/2" A : adjustable outside thread R1/4" B : adjustable outside thread R1/2" 0 : w/o outside thread / special thread

(E) Length (L)		(F) Temperature Range		(G) Housing	(H) Option
1 : 50mm	4 : 200mm	1 : -50~+50°C	4 : 0~100°C	N : standard	N : none
2 : 100mm	0 : option	2 : -50~0°C	5 : 0~200°C	0 : heat sink	
3 : 150mm		3 : 0~+50°C	W : special span		

Contact

Head Office

Add: 11F., No.168, Jiankang Rd., Zhonghe Dist., New Taipei City 235, Taiwan

Tel: +886-2-2228-7950 (Rep.)

Fax: +886-2-2228-6140

E-mail : service@maxthermo.com.tw

Web : www.maxthermo.com

Showroom

Add: 3C25, Taipei World Trade Center, No. 5, Sec. 5, Hsin Yi Rd. Taipei Taiwan

Tel: +886-2-2720-6601

Fax: +886-2-2345-5120

Thailand Office

Add: 86/132-133 m.7 Samaedum Bangkoontien 10150 Thailand.

Tel: +662-415-8318 , +662-417-2548-49

Fax: +662-415-8798

Web : www.thaimaximum.com