

## 2-wire RTD Temperature Transmitter for Head-mounting Type



## Application

1. Linearised temperature measurement with PT100Ω sensor.
2. To avoid temperature signal attenuation during long-distance transmission, it converts PT100Ω into standard analog current output 4~20mA DC ( 2-wire )
3. In this way, a stable and accurate figure can be collected and shown on the display of terminal instrument. The instrument includes PLC, digital display, industrial computer, etc.

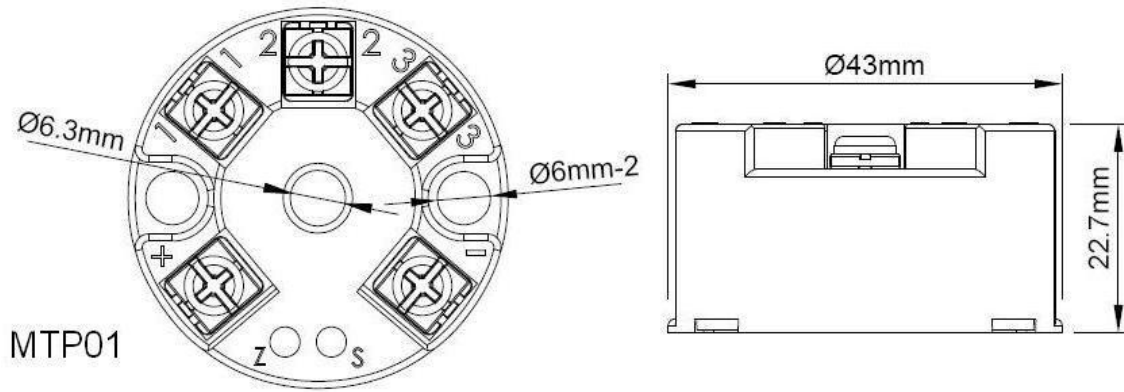
## Features

1. Accuracy : MTP01:  $\pm 0.1$  % of F.S.
2. ZERO / SPAN adjustment

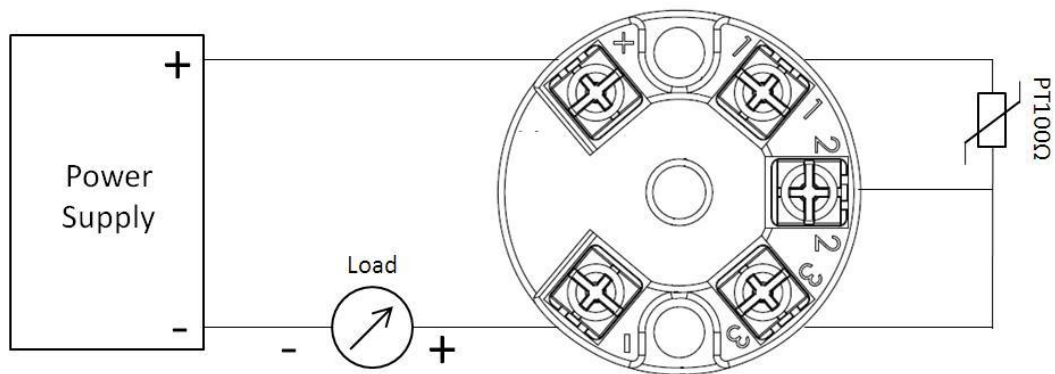
# Standard Specification

<b>INPUT</b>	
Input	PT 100Ω (3-wire)
Cable resistance	≤ 50 Ω (3 wires with the same resistance)
PT100Ω sensor current	< 0.8mA
ZERO adjustment range	±10 %
SPAN adjustment range (MTP01)	±10 %
<b>OUTPUT</b>	
Output	4~20 mA ; 2-wire
Accuracy	±0.1 % of F.S.
Load resistance	≤ (supply voltage - 8 V) / 0.02A Ω
Load resistance stability	±0.05% / 100Ω
Power supply stability	±0.025% / V
Temperature drift	< ±0.015% fs / °C
Calibration temperature	20~28°C
Response time	< 250 ms
<b>PROTECTION</b>	
PT100Ω signal disconnection protection & output	>23mA
PT100Ω signal short circuit, protection & output	< 3mA
Output polarity protection	Yes
<b>ELECTRICAL SPECIFICATION</b>	
Power supply	10~30 VDC
Working temperature	-20~60°C
Working humidity	0~95% RH (non-cond.)
Protection degree	housing: IP30 ; terminal: IP10
Housing	ABS
Weight	40g

## External Dimension



## Diagram



## Order information

MT **P** **01** -1 **1**  
**A** **B** **C**

(A) Product Type	(B) Installation	(C) Temperature Range	
P : 2-wire type	01 : head-mounting	1 : -50~+50°C	4 : 0~100°C
		2 : -50~0°C	5 : 0~200°C
		3 : 0~50°C	W : special span

# Contact

## Taipei World Trade Center

Add: 3C25, Taipei World Trade Center, No. 5, Sec. 5, Hsin Yi Rd. Taipei Taiwan, R.O.C.

Tel: 886-2-27206601 (Rep.)

Fax: 886-2-23455120

E-mail: [gitta@ms9.hinet.net](mailto:gitta@ms9.hinet.net)

<http://www.maxthermo.com>

## Factory

Add: 11F., No.168, Jiankang Rd., Zhonghe Dist., New Taipei City 235, Taiwan (R.O.C.)

Tel: 886-2-22287950 (Rep.)

Fax: 886-2-22286140

## Thailand Office - THAI MAXIMUM ELECTRONIC CO., LTD

Add: 86/132-133 m.7 Samaedum Bangkoontien Bangkok 10150 Thailand.

Tel: +662-415-8318 , +662-417-2548-49

Fax: +662-415-8798

<http://www.thaimaximum.com>