

## Integrated Signal Indicator



### Application

With extensive applications as process monitoring in semiconductor industry, steel industry, chemical industry, environmental engineering, food processing, pharmaceutical industry, water plants, power plants, research and development, etc.

### Features

1. MSD05: 330° turntable; the direction of panel is changeable; good monitoring angle without blind corner.
2. Programmable, display value can be set according to sensor's spec.
3. Integrated display connected with 2-wire transmitter.
4. Suitable for the on-site application.
5. The power is from 2-wire signal loop, no extra power supply is required, easy to install.
6. Programmable by pressing 2 buttons, easy to operate.
7. High performance, good stability and functionality.

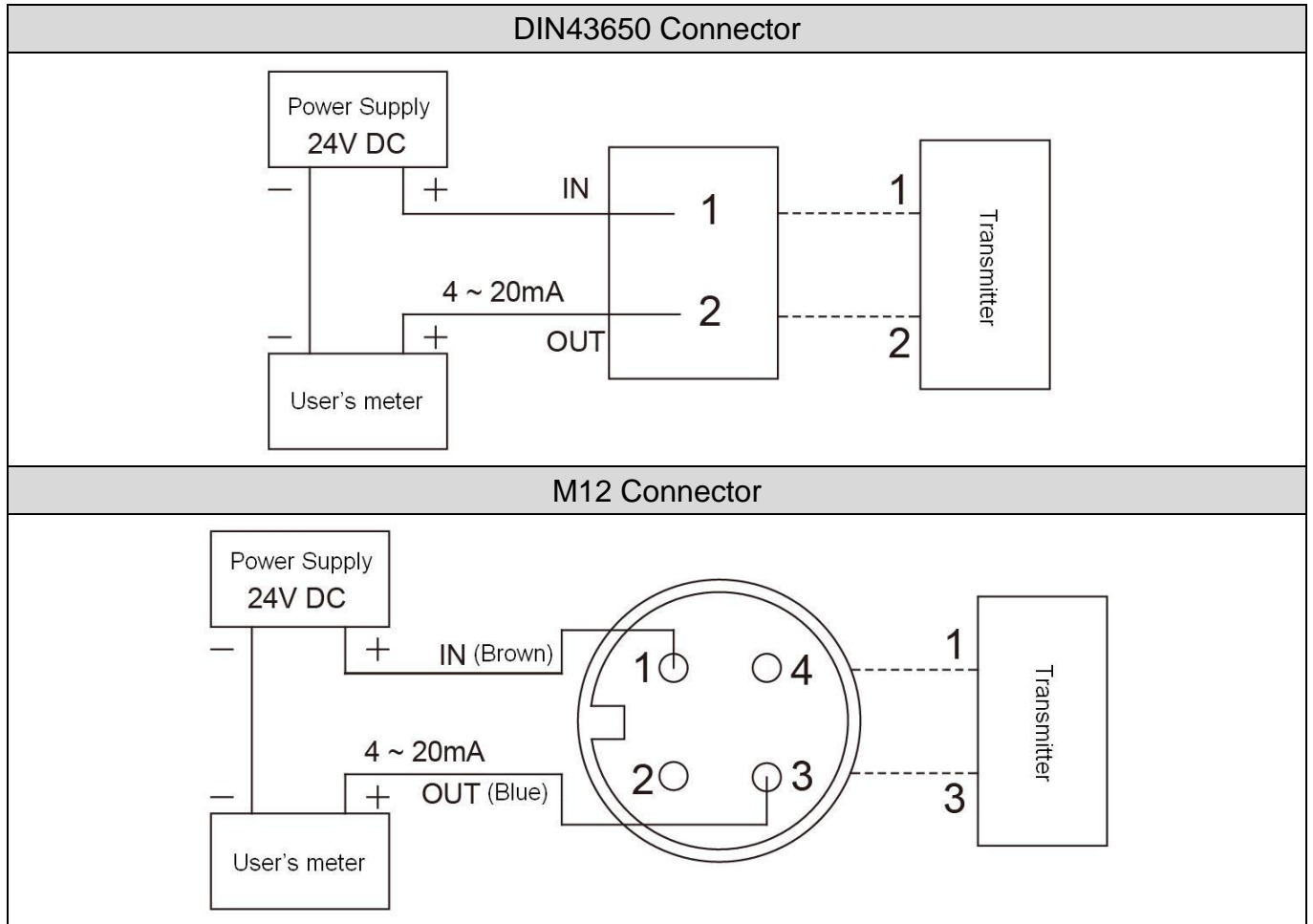
# Standard Specification

INPUT	
Input signal	4~20 mA DC eg: pressure / differential pressure / temperature / flow / PH value / load cell, etc.
Parameter setting	programmable by pressing the button
OUTPUT	
Display method	4-digit LED ( height of word: 9.2mm)
Display range	-1999 ~ +9999
Scale	decimal point, programmable
Display accuracy	0.2 % F.S.
Voltage drop	3.3 VDC
Overload current	40mA DC
POWER SUPPLY	
Power	4~20mA, 2-wire loop power
Electrical connection	DIN 43650 plug / M12 connector
ELECTRICAL REGULATION	
Electrical connector	DIN43650 P9
Protection degree	IP 65
Electrical protection	polarity protection
Environmental temperature	-20°C~75°C
Rotating angle	DIN 43650: 330° / M12: 210°
Body	ABS + PC
Weight	H: 125g / M: 127g

## External Dimension

DIN43650 Connector	M12 Connector

# Diagram



# Order information

MSD **05** - **1** **1** **0** - **H**

**A**      **B**      **C**      **D**      **E**

(A) Installation Method	(B) Display	(C) Input Signal	(D) Power Supply	(E) Connector
05 : Integrated-type	1 : LED	1 : 4~20mA	0 : 2-wire loop power	H : DIN43650 M : M12

# Contact

## Taipei World Trade Center

Add: 3C25, Taipei World Trade Center, No. 5, Sec. 5, Hsin Yi Rd. Taipei Taiwan, R.O.C.

Tel: 886-2-27206601 (Rep.)

Fax: 886-2-23455120

E-mail: [gitta@ms9.hinet.net](mailto:gitta@ms9.hinet.net)

<http://www.maxthermo.com>

## Factory

Add: 11F., No.168, Jiankang Rd., Zhonghe Dist., New Taipei City 235, Taiwan (R.O.C.)

Tel: 886-2-22287950 (Rep.)

Fax: 886-2-22286140

## Thailand Office - THAI MAXIMUM ELECTRONIC CO., LTD

Add: 86/132-133 m.7 Samaedum Bangkoontien Bangkok 10150 Thailand.

Tel: +662-415-8318 , +662-417-2548-49

Fax: +662-415-8798

<http://www.thaimaximum.com>