

Signal Transmitter for Din-rail Type



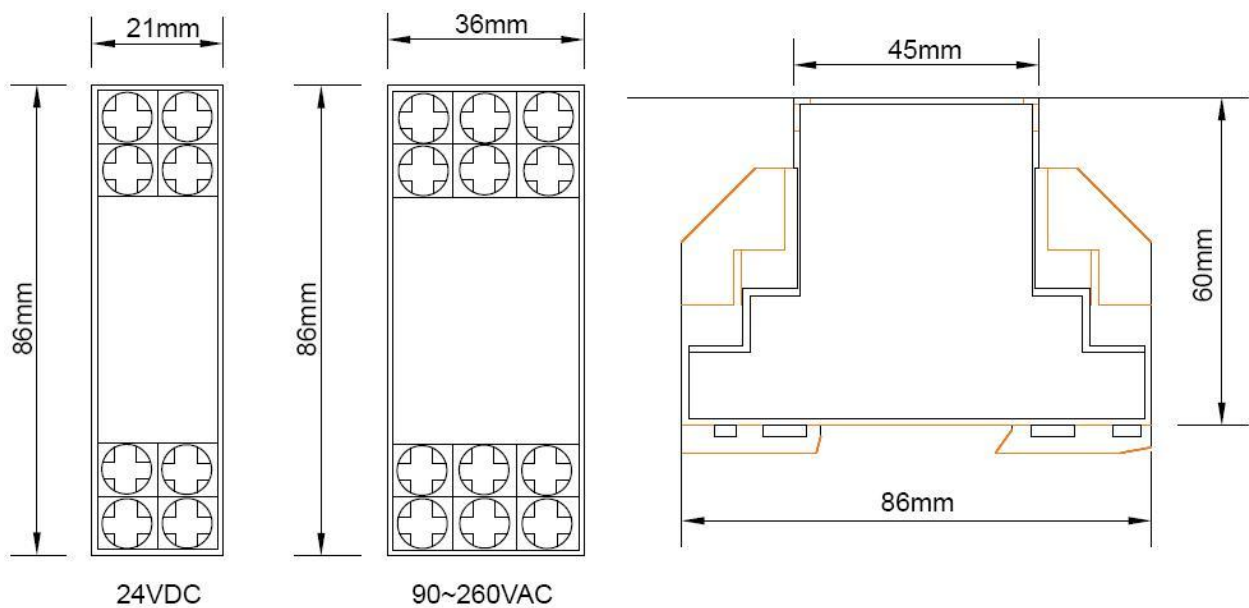
Application

1. Small size, DIN-rail mounting.
2. With LED indicator to show power on/off.
3. Accuracy at 0.1% F.S., high stability.
4. With Zero and Span calibration adjustment.
5. Double outputs, two independent output types to be selected.
6. EMC 、 EMI (anti-interference), CE certification.
7. A diversity of input / output to be selected, short circuit and polarity protection.
8. Applicable for central monitoring and integrated PLC output signal.

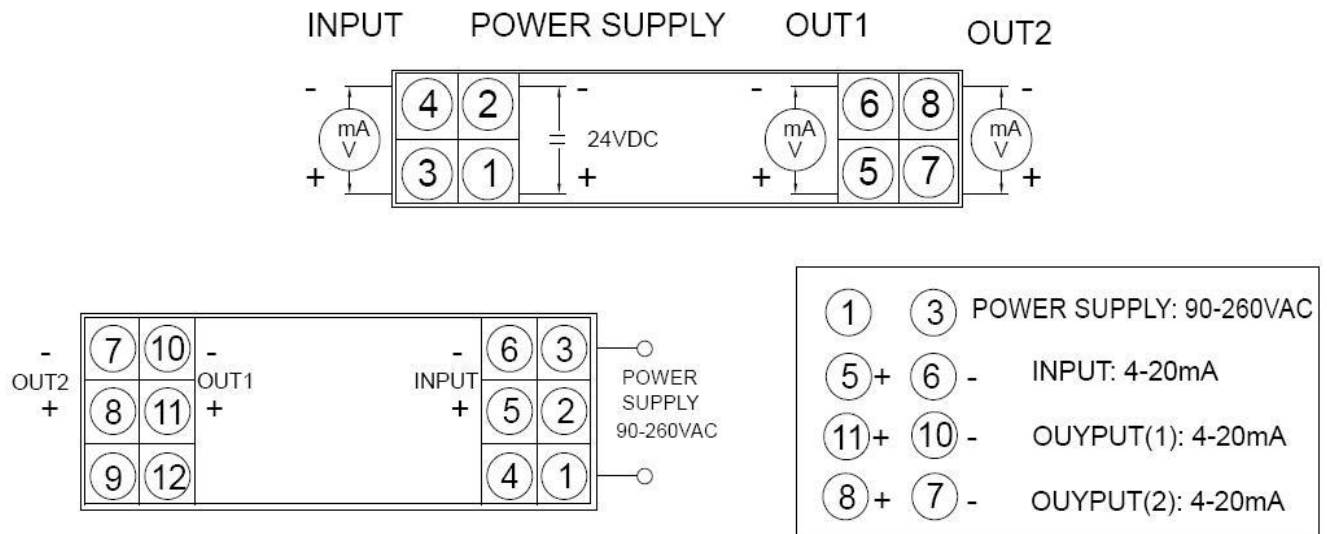
Standard Specification

Accuracy	±0.1% F.S.
Environmental temperature	0~65°C, < 90% RH(non-cond.)
Storage temperature	-20~75°C, < 90% RH (non-cond.)
Input	0-10V ; 4-20mA
Output (single or double)	0-10V ; 4-20mA
Response time	400 ms (10~90%)
Adjustment on zero-point and slope	±10% F.S.
Max. load resistance for current input	Nom. 25Ω
Max. load resistance for voltage input	Nom. 10MΩ
Min. load resistance for current output	600Ω / 24VDC
Min. load resistance for voltage output	10KΩ / 24VDC
Power consumption	< 1.6 W
Protection	output short-circuit, polarity overload, protection
Power supply	24 VDC ±15% / 90~260 VAC
Operating frequency	47-63Hz (AC power)
Calibration temperature	20~28°C
Protection degree	housing IP30 ; terminal IP10
Housing	ABS

External Dimension



Diagram



Order information

MS02 2 - I I I - 1

A B C D E

(A) Function Type	(B) Input Signal	(C) Output Signal 1	(D) Output Signal 2	(E) Power Supply
1 : 1-channel	I : 4~20mA	I : 4~20mA	I : 4~20mA	1 : 24VDC ±15%
2 : 2-channel	V : 0~10V	I : 4~20mA V : 0~10V	I : 4~20mA V : 0~10V	2 : 90~260VAC

Contact

Taipei World Trade Center

Add: 3C25, Taipei World Trade Center, No. 5, Sec. 5, Hsin Yi Rd. Taipei Taiwan, R.O.C.

Tel: 886-2-27206601 (Rep.)

Fax: 886-2-23455120

E-mail: gitta@ms9.hinet.net

<http://www.maxthermo.com>

Factory

Add: 11F., No.168, Jiankang Rd., Zhonghe Dist., New Taipei City 235, Taiwan (R.O.C.)

Tel: 886-2-22287950 (Rep.)

Fax: 886-2-22286140

Thailand Office - THAI MAXIMUM ELECTRONIC CO., LTD

Add: 86/132-133 m.7 Samaedum Bangkoontien Bangkok 10150 Thailand.

Tel: +662-415-8318 , +662-417-2548-49

Fax: +662-415-8798

<http://www.thaimaximum.com>