

微處理雙顯示直流電力錶

MICROPROCESS DC POWER METER



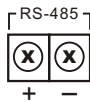
MP - 40DC DC Power Meter

Specifications

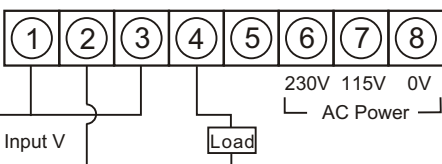
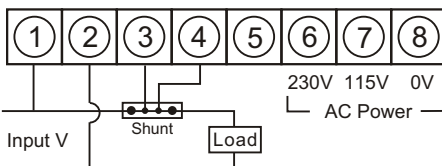
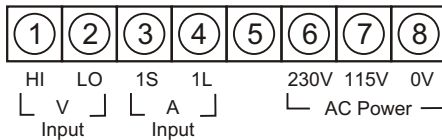
- Display :** Red LED 0.4" high (Watt)
Green LED 0.3" high (V, A)
- Max. Display :** 4 Digits (Watt)
4 Digits (V, A)
- Over range Indication :** " o.L "
- Conversion Rate :** 1/sec.
- Memory :** EEPROM
- Accuracy :** $\pm 0.25\%$ FS. ± 2 digit ($23 \pm 5^\circ\text{C}$)
- Operating Temp. :** $0 \sim 60^\circ\text{C}$ / Below 80%R.H.
- Storage Temp. :** $-10 \sim 70^\circ\text{C}$ / Below 70% R.H.
- Power Supply :** AC 115/230V $\pm 10\%$, 50/60Hz
Option : DC 12, 24, 48, 120V $\pm 20\%$
- Power Consumption :** Approx. 4VA
- Weight :** Approx. 550g
- Dielectric Strength :** AC 2000V/1min (Input/Power)
- Insulation Resistance :** More than 100M Ω at 500VDC
- Dimensions :** 96(W) x 48(H) x 144(D)mm
- Panel Cut-Out :** 91.5(W) x 44(H)mm

Connection Diagram

Upper



Lower



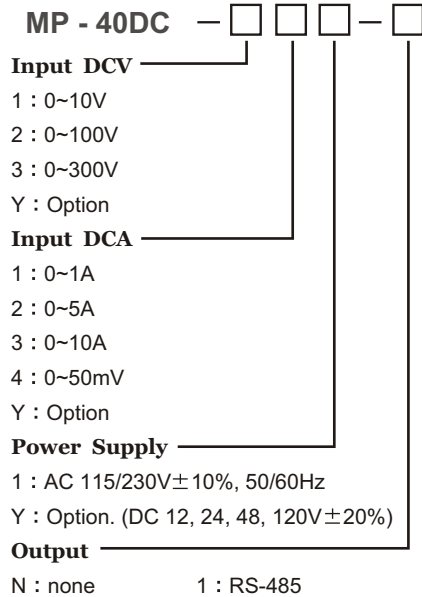
Features

- 3 unit V, A, KW
- Can change V, A by front sheet switch
- Rate free setting
- RS-485 interface (Option)
- DIN case 96 x 48mm

Input

- Voltage :** DC 0~10V
DC 0~100V
DC 0~300V
- Current :** DC 0~1A, DC 0~5A, DC 0~10A
- Watt :** Corresponding to V x A

Order Code



RS-485 Interface (option)

- Address : 1 ~ FF
- Baudrate : 19200, 9600, 4800, 2400, 1200
- Frame : N.8.2, E.8.1, O.8.1, N.8.1
- Protocol : Modbus RTU Mode

Dimensions

