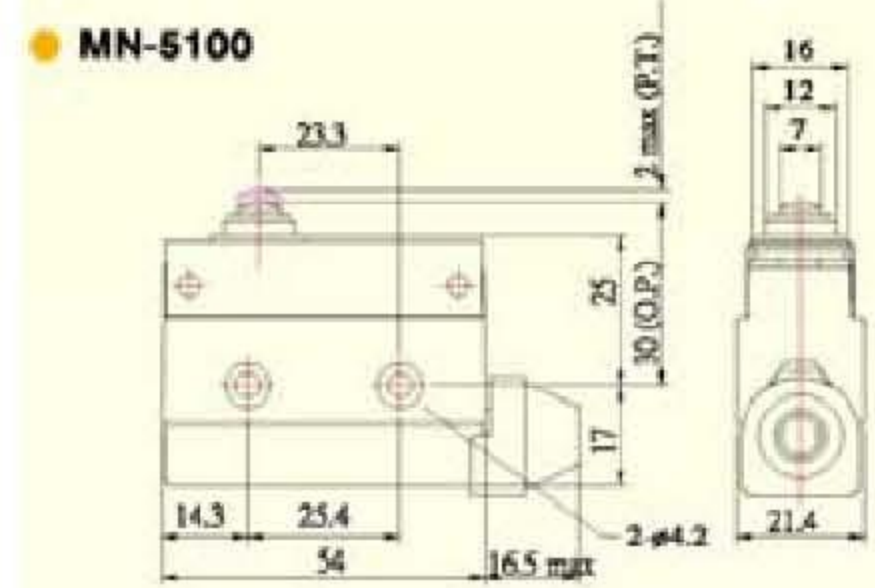


MN SERIES MINI ENCLOSED LIMIT SWITCHES

FEATURES

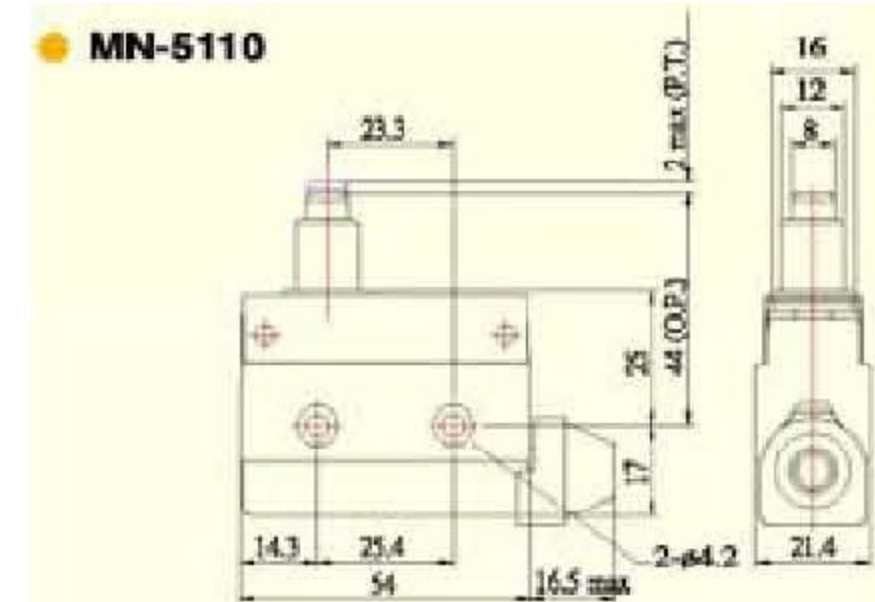
- Plastic sealed construction
- IP65
- 10A 250 VAC
- -10°C to +80°C
- NO/NC contacts
- Wide choice of heads and actuators



MN-5100 Enclosed switch

Item nr Specification

MN-5100-P Enclosed switch, plastic head

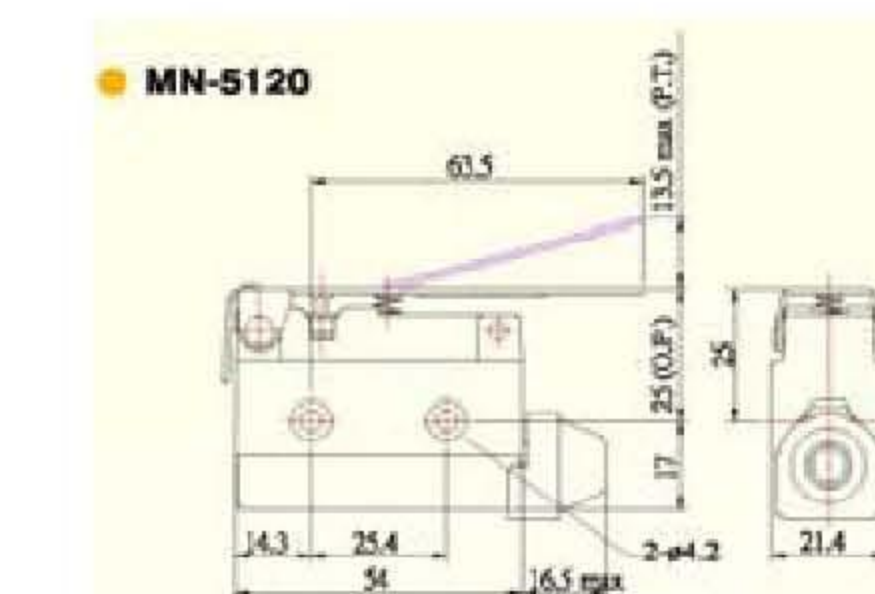


MN-5110 Enclosed switch

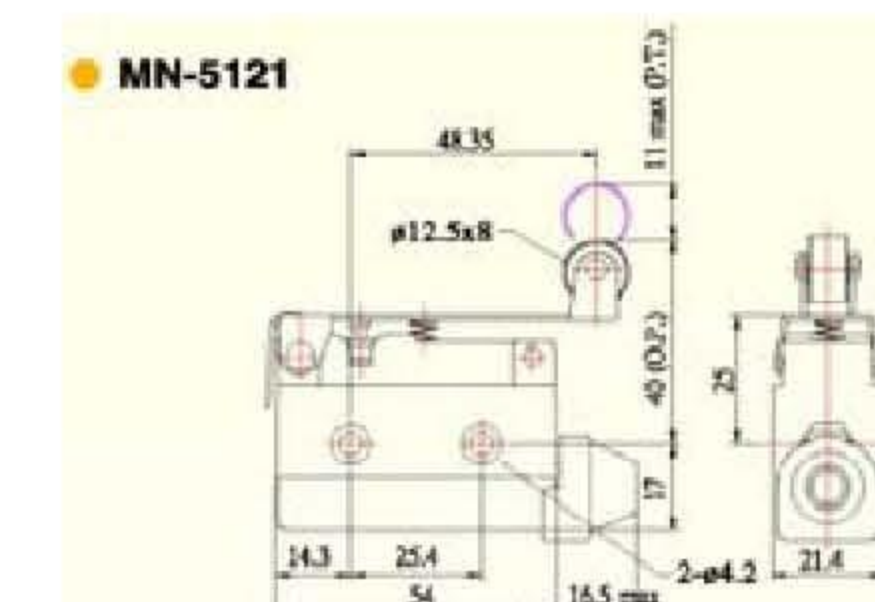
MN-5110-P Enclosed switch, plastic head

MN-5110L Enclosed switch, long head

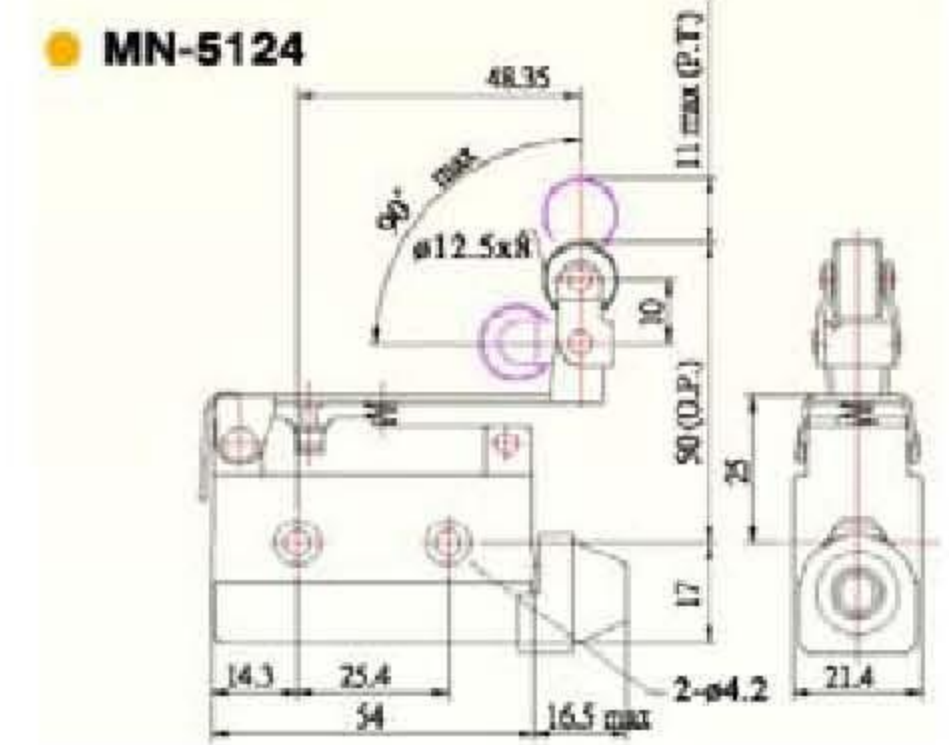
MN-5110XL Enclosed switch, extra long head



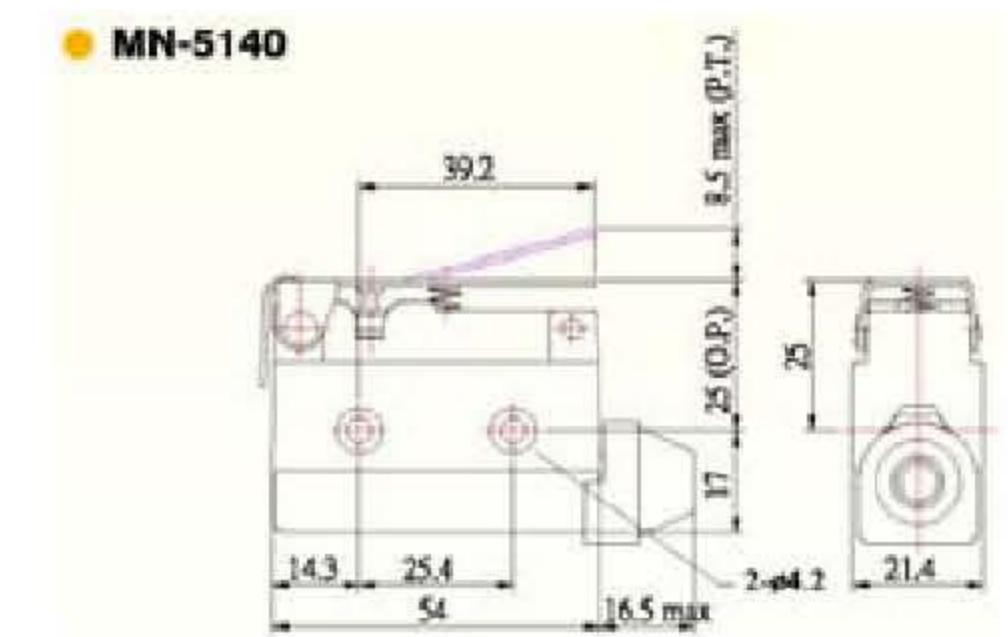
MN-5120 Enclosed switch



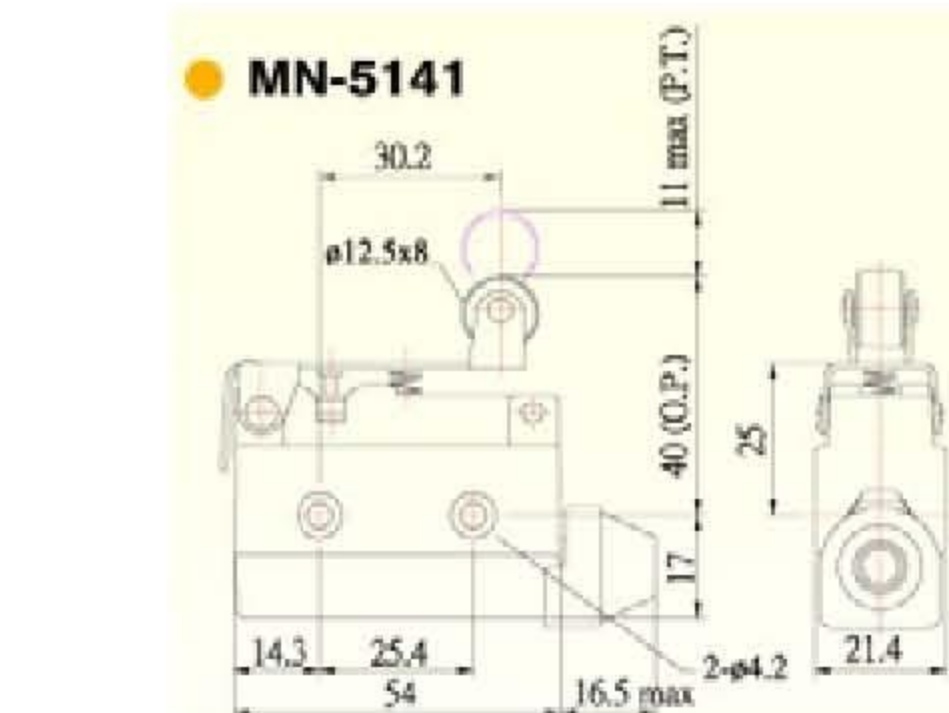
MN-5121 Enclosed switch



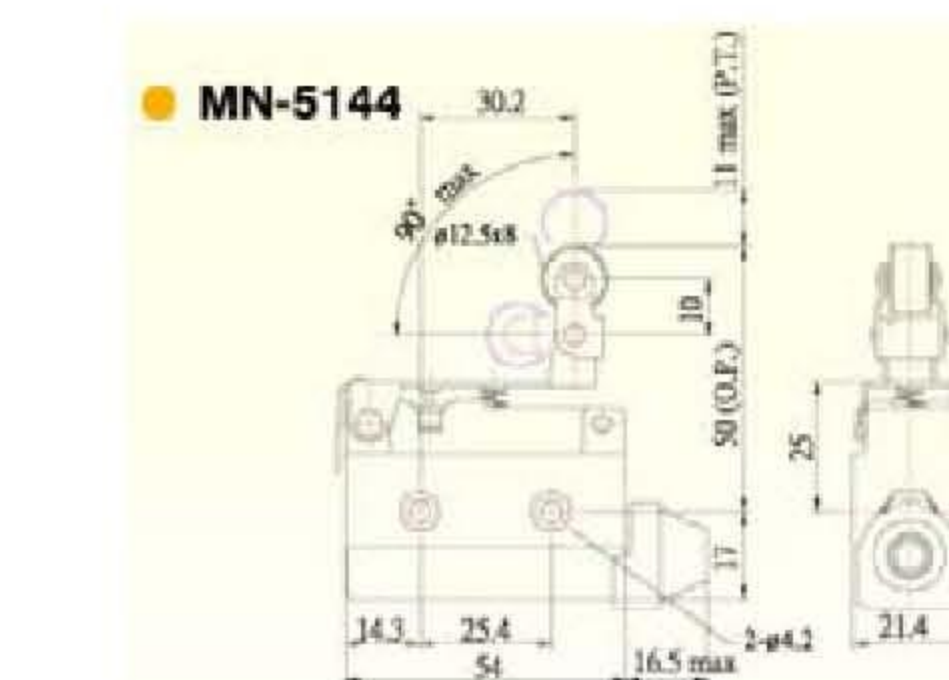
MN-5124 Enclosed switch



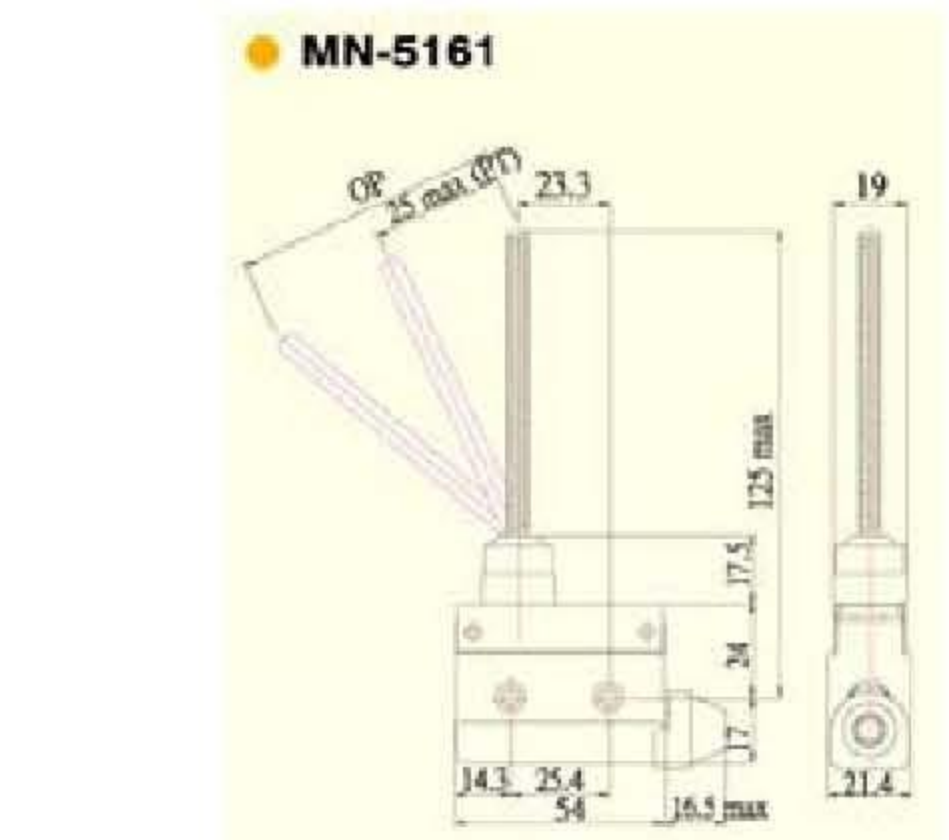
MN-5140 Enclosed switch



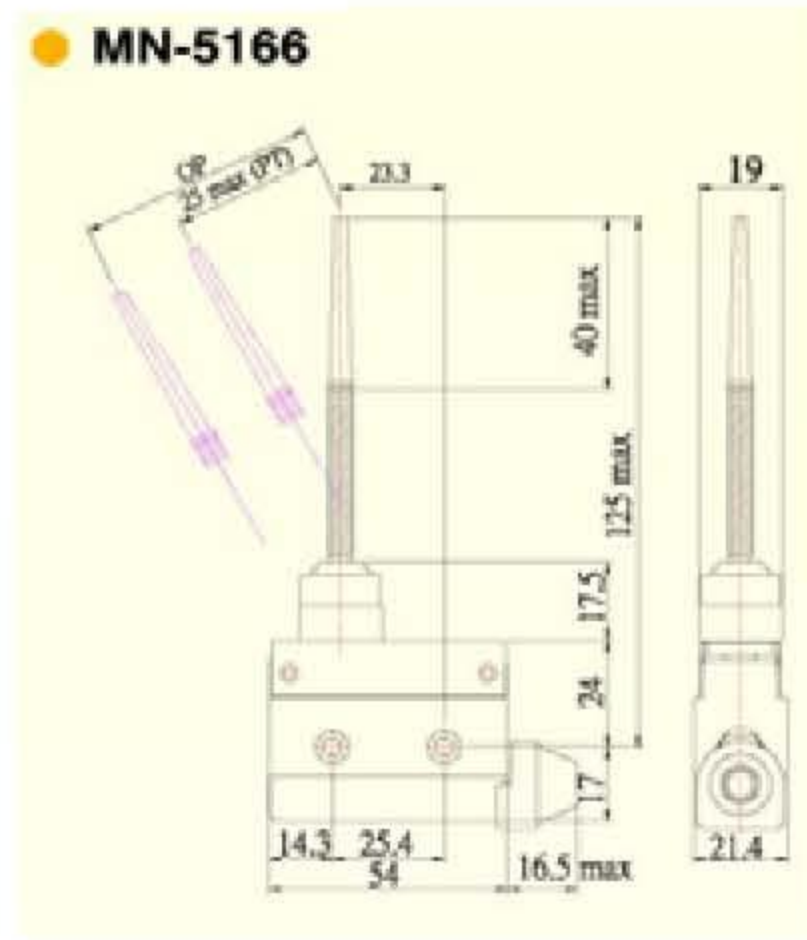
MN-5141 Enclosed switch



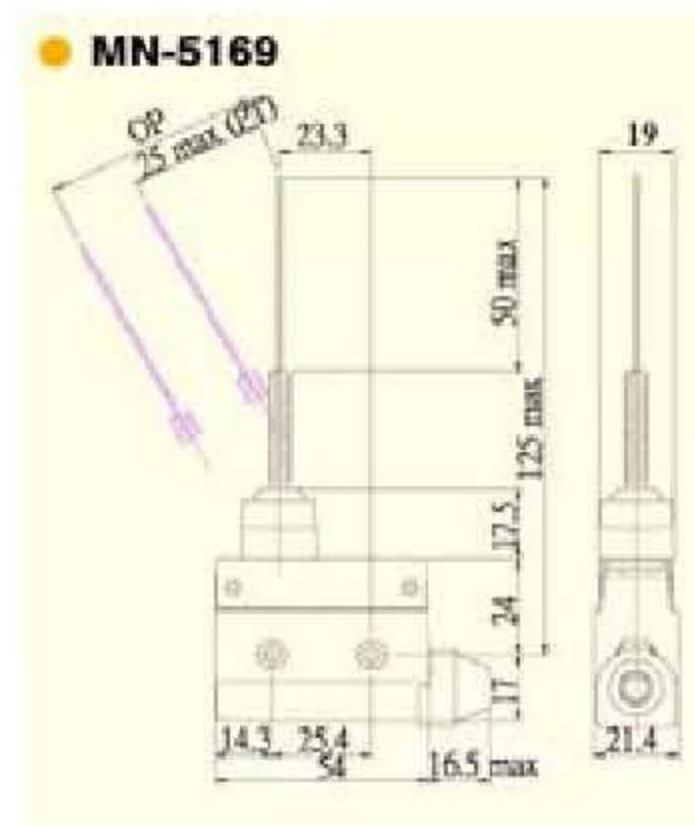
MN-5144 Enclosed switch



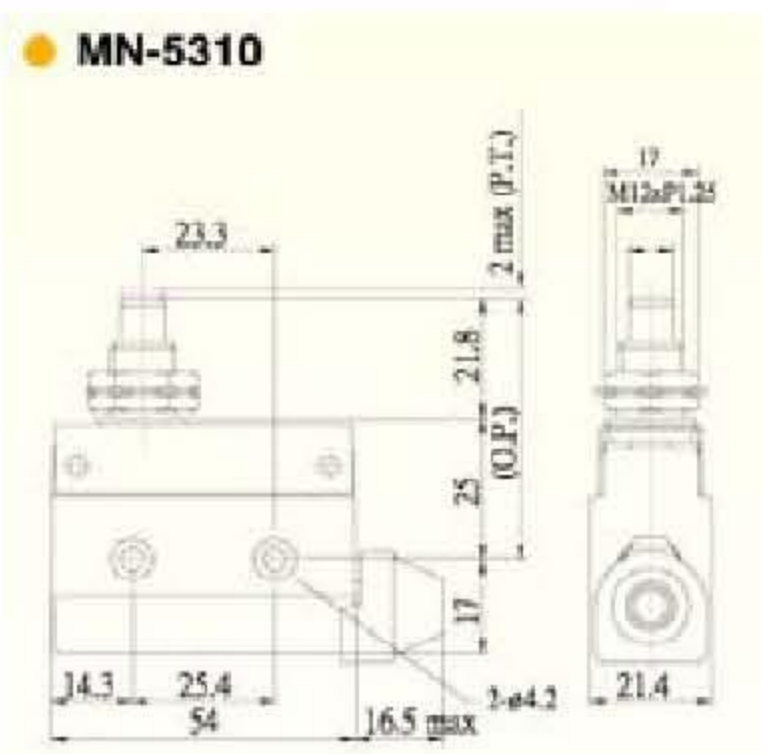
MN-5161 Enclosed switch



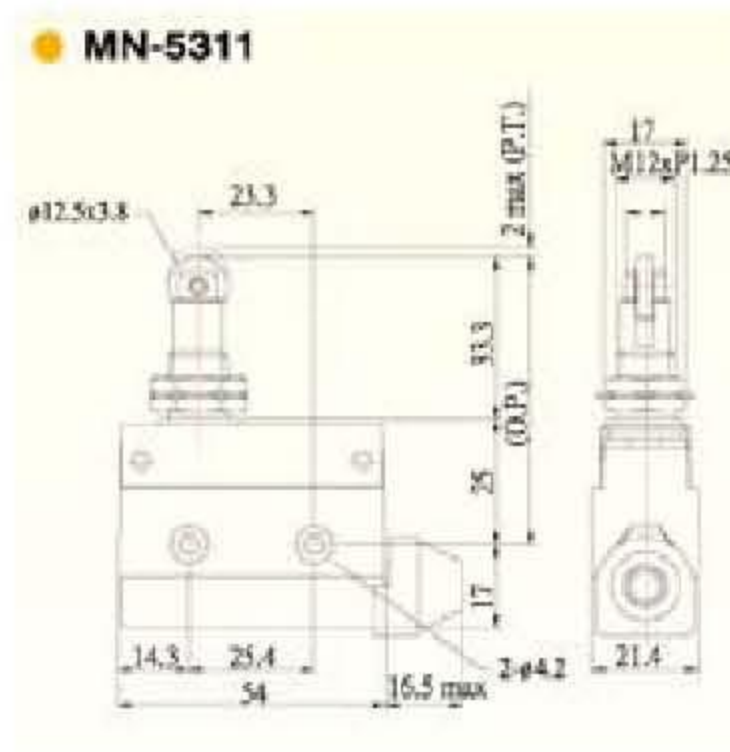
MN-5166 Enclosed switch



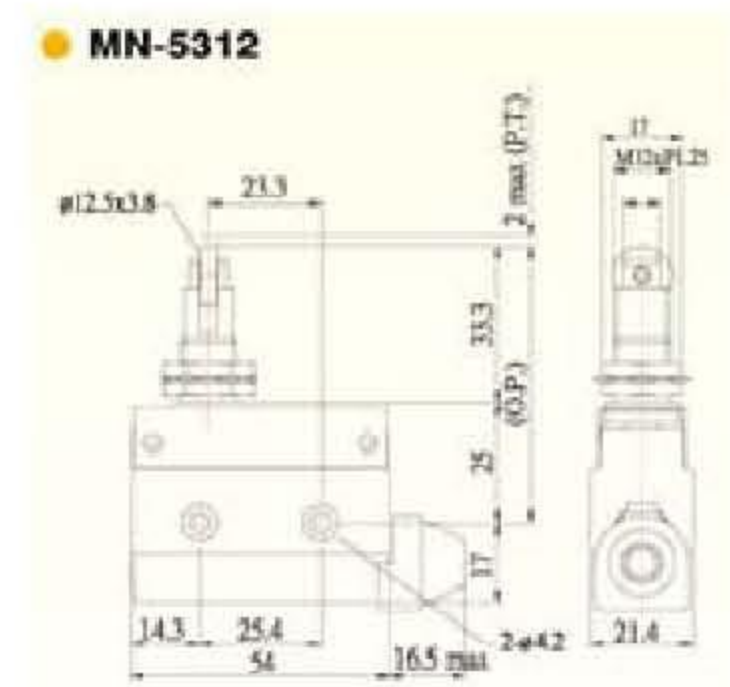
MN-5169 Enclosed switch



MN-5310 Enclosed switch
MN-5310-P Enclosed switch, plastic head



MN-5311 Enclosed switch
MN-5311-P Enclosed switch, plastic head



MN-5312 Enclosed switch
MN-5312-P Enclosed switch, plastic head