

# Submersible Pressure Transmitter



## Application

This submersible pressure transmitter is easy to apply in open container and rivers. Plunge the transmitter into the bottom of rivers and you can get level signal of lower limit and upper limit.

For applications in:

1. Drinking water equipment.
2. Pit sinking.
3. Waste water plant.
4. Big container and barrel.
5. Flow current (rivers and lakes).

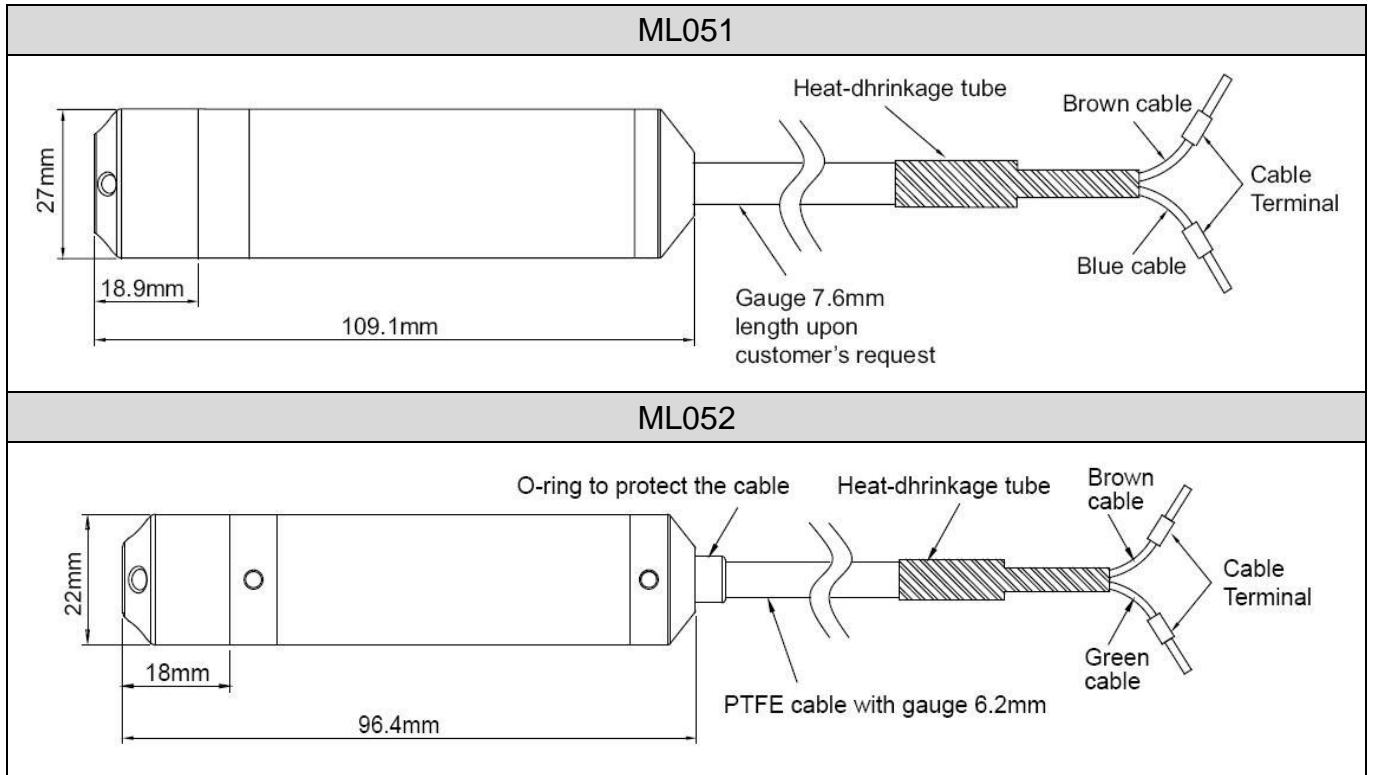
## Features

1. Housing SS316 outer, diameter 22Ø or 27Ø.
2. Compact and rugged design and easy to install.
3. With reasonable price, high accuracy and good stability in a long-run.
4. Cable material: PVC or PTFE.

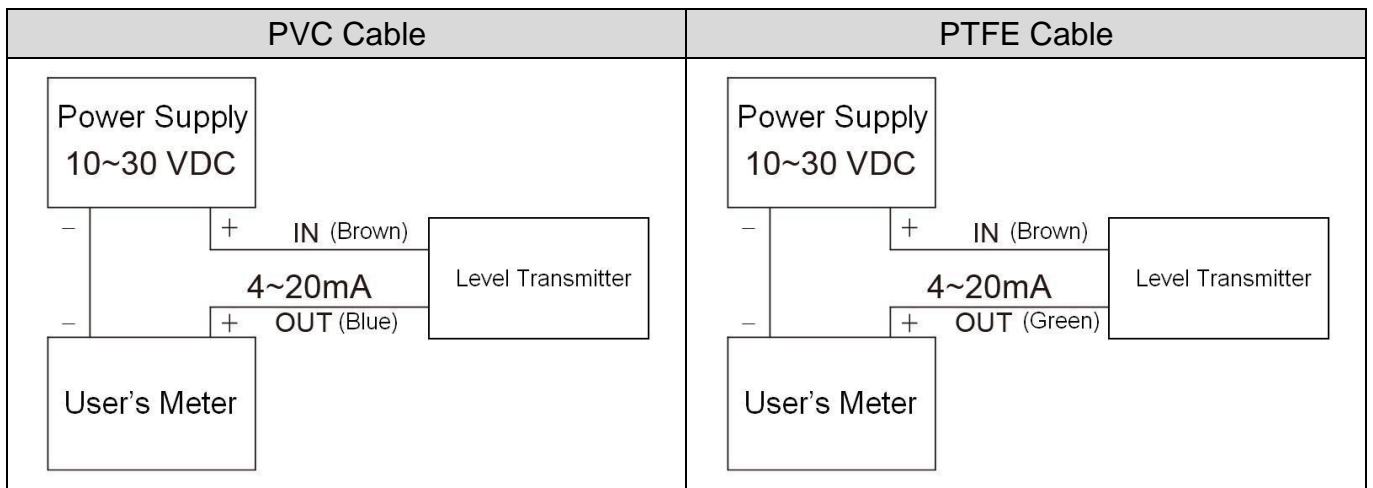
# Standard Specification

Sensor type	piezoresistive diaphragm						
Input type	Level						
Measuring range	0~10 BAR						
Cable overload range	Pressure range	0.5	1	2	5	10	20
	Overload range	2.5	3	4	7	15	30
Output	4~20mA ; 2-wire						
Linear accuracy	±0.5 % of F.S						
Load resistance	[Ohm] ≤ (working voltage-10V) / 0.02A-0.15Ω x cable length(M)						
Output calibration(ZERO & SPAN) adjustment span	ML051: ±10%of zero-point and full-scale, ML052: computer calibration						
Response time	≤ 5 ms						
Media measured	Liquid						
Media temperature	PVC: 0~50°C / PTFE: -20~+80°C						
Working temperature	PVC: 0~50°C / PTFE: -20~+80°C						
Working humidity	0~100%						
Storage temperature	PVC: -25~+60°C / PTFE:-25~+85°C						
Zero-point tolerance	±0.2% fs /10K						
Power supply	10~30VDC						
Current consumption	≤ 21mA						
Overvoltage protection	<33VDC						
Electrical Connection	specific cable						
Installation	Submersible						
Protection degree	IP 68						
Electrical protection	over-voltage, polarity, short-circuit						
Certification	CE						
Housing	SUS 316						
Wetted part	SUS 316						
Cable	PVC / PTFE						
Weight (w/o cable)	ML051: 350g / ML052: 190g (w/o cable)						

# External Dimension



# Diagram



## Order information

ML05 1 - 06 1 0 - 08 - 1

A            B            C            D            E            F

(A) Appearance	(B) Pressure Range			(C) Output
1 : 27 Ø	03 : 0.25BAR	11 : 1.0BAR	14 : 4.0BAR	1 : 4~20mA
2 : 22 Ø	04 : 0.4BAR	12 : 1.6BAR	16 : 6.0BAR	
	06 : 0.6BAR	13 : 2.5BAR	21 : 10BAR	

(D) Power Supply	(E) Cable Length				(F) Cable Material
0 : 10~30 (VDC)	05 : 5 meter	12 : 12 meter	42 : 42 meter	00 : Option	1 : PVC
	06 : 6 meter	18 : 18 meter	62 : 62 meter		2 : PTFE
	08 : 8 meter	27 : 27 meter	A2 : 102 meter		

## Contact

### Taipei World Trade Center

Add: 3C25, Taipei World Trade Center, No. 5, Sec. 5, Hsin Yi Rd. Taipei Taiwan, R.O.C.

Tel: 886-2-27206601 (Rep.)

Fax: 886-2-23455120

E-mail: [gitta@ms9.hinet.net](mailto:gitta@ms9.hinet.net)

<http://www.maxthermo.com>

### Factory

Add: 11F., No.168, Jiankang Rd., Zhonghe Dist., New Taipei City 235, Taiwan (R.O.C.)

Tel: 886-2-22287950 (Rep.)

Fax: 886-2-22286140

### Thailand Office - THAI MAXIMUM ELECTRONIC CO., LTD

Add: 86/132-133 m.7 Samaedum Bangkoontien Bangkok 10150 Thailand.

Tel: +662-415-8318 , +662-417-2548-49

Fax: +662-415-8798

<http://www.thaimaximum.com>