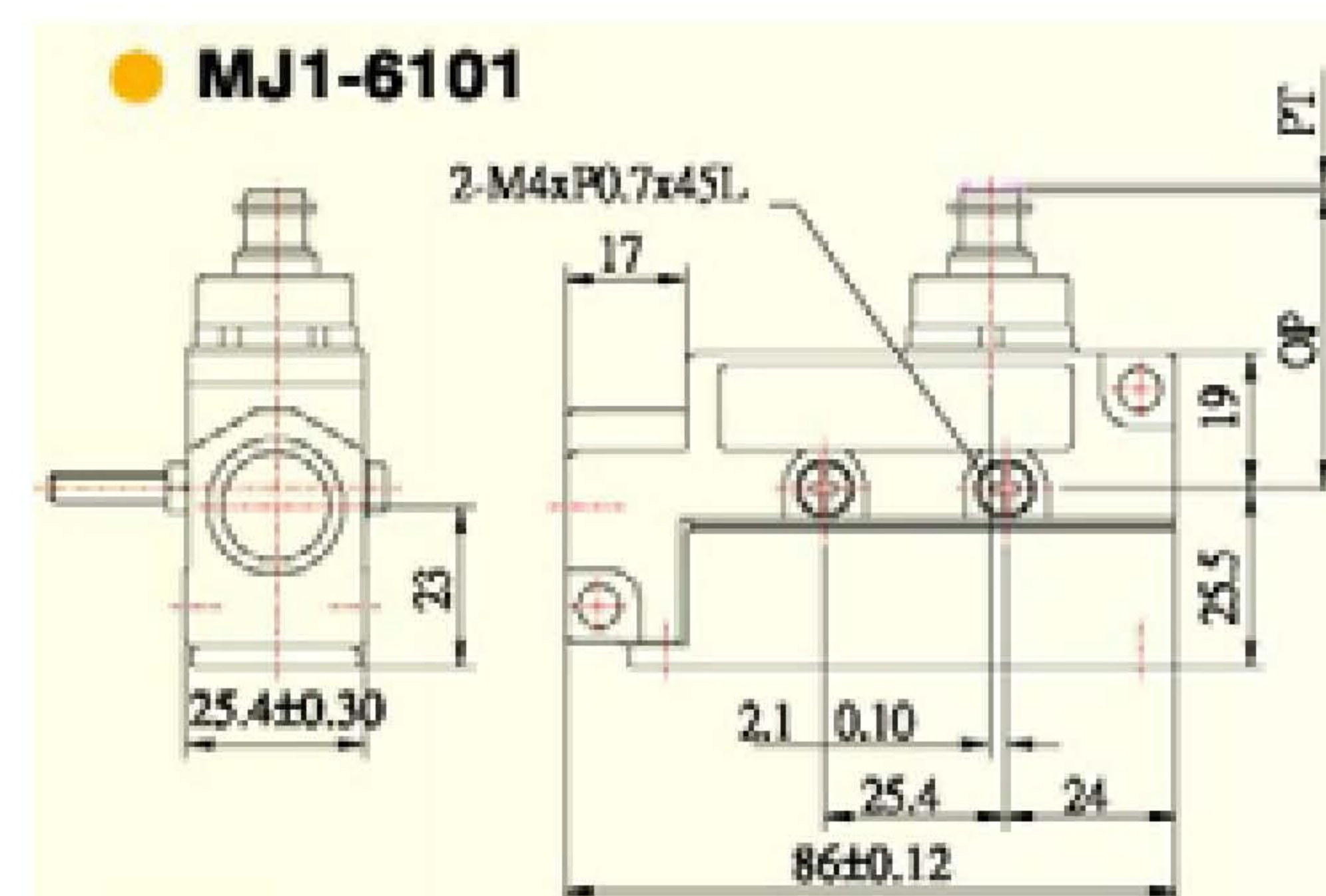


MJ1 SERIES ENCLOSED LIMIT SWITCHES

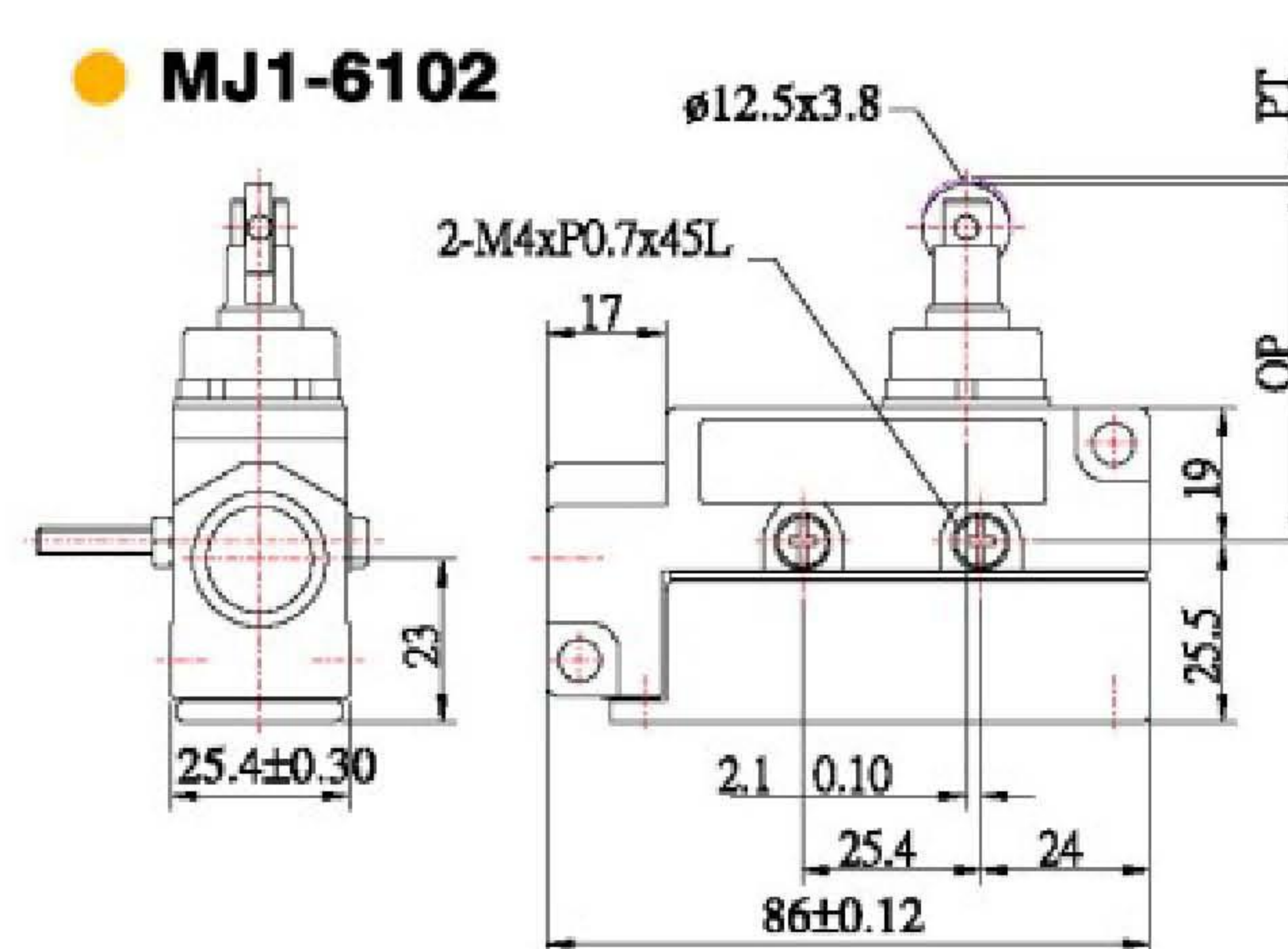
FEATURES

- Completely sealed construction
- IP65/IP67
- 15A 125 or 250 VAC
- -10°C to +80°C
- NO/NC contacts
- Wide choice of heads and actuators

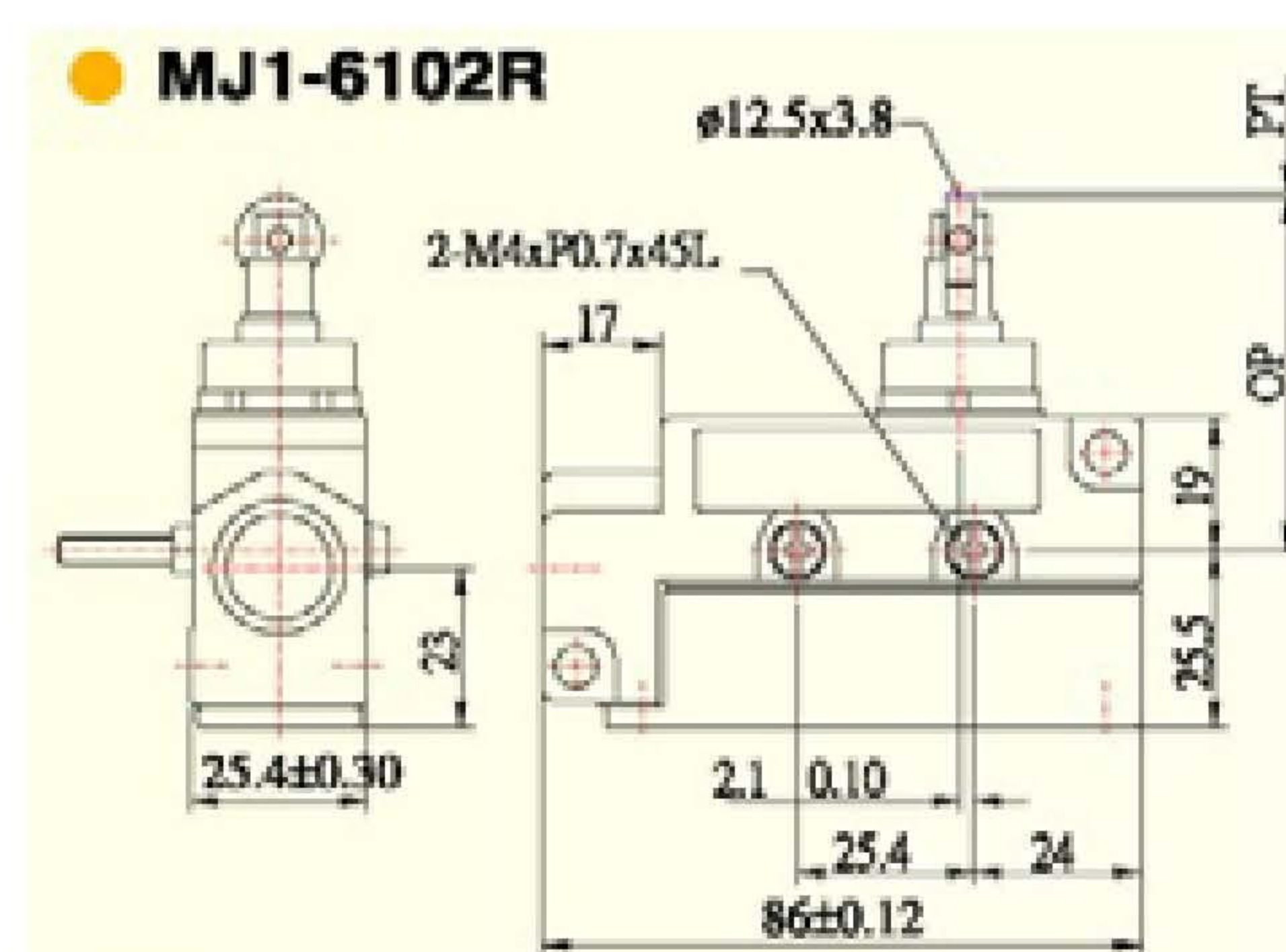


Item nr Specification

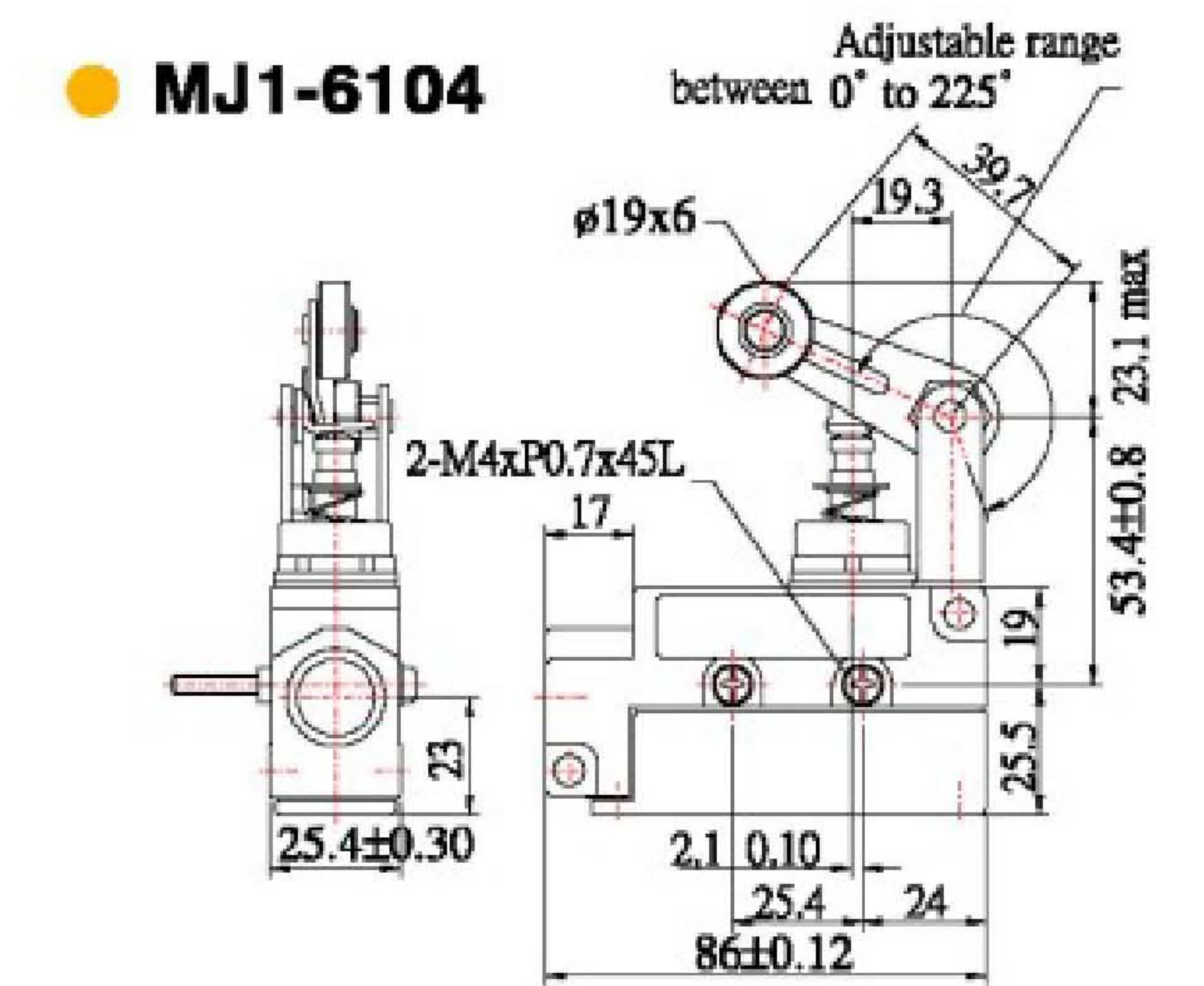
MJ1-6101 Enclosed limit switch



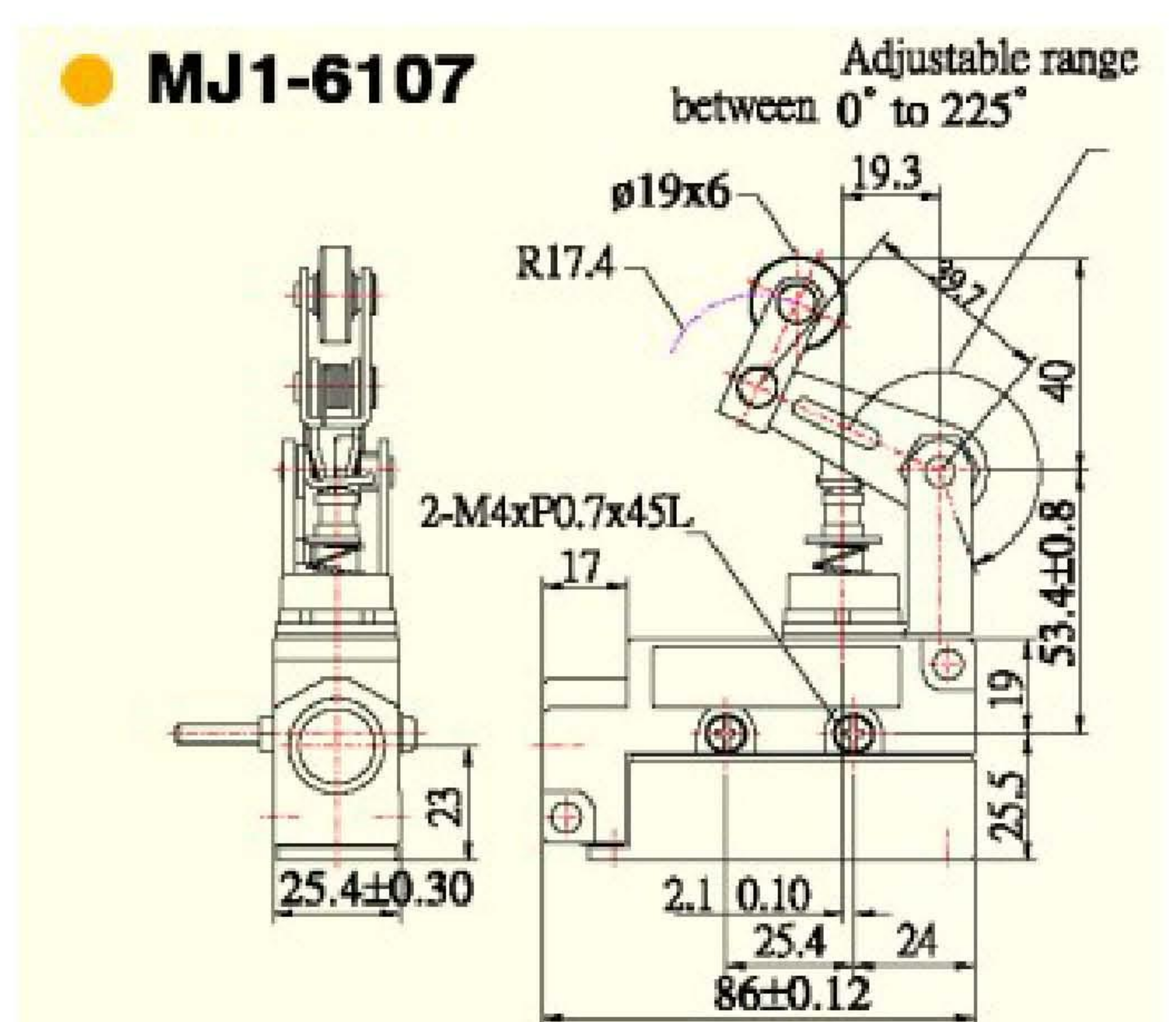
MJ1-6102 Enclosed limit switch



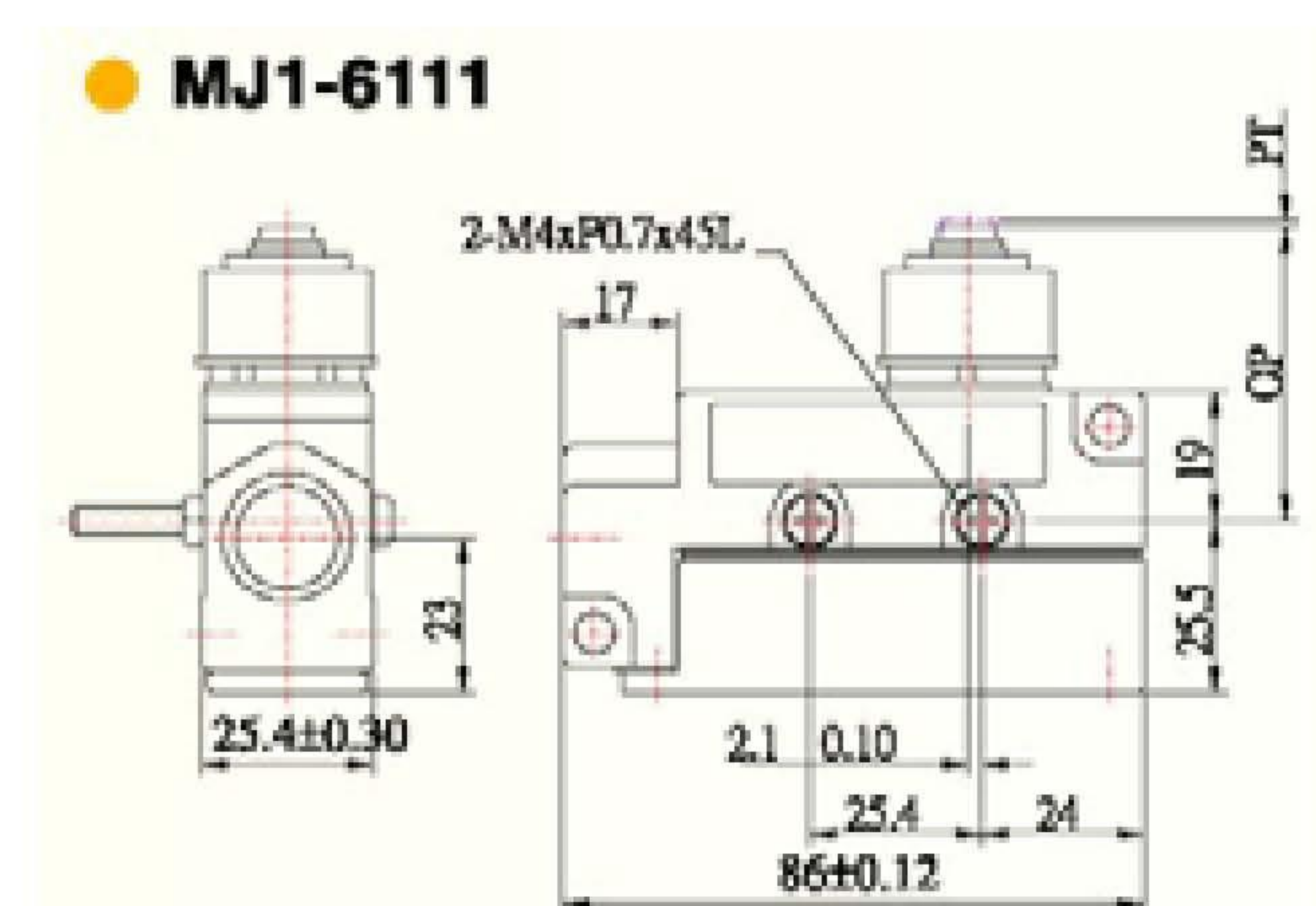
MJ1-6102R Enclosed limit switch



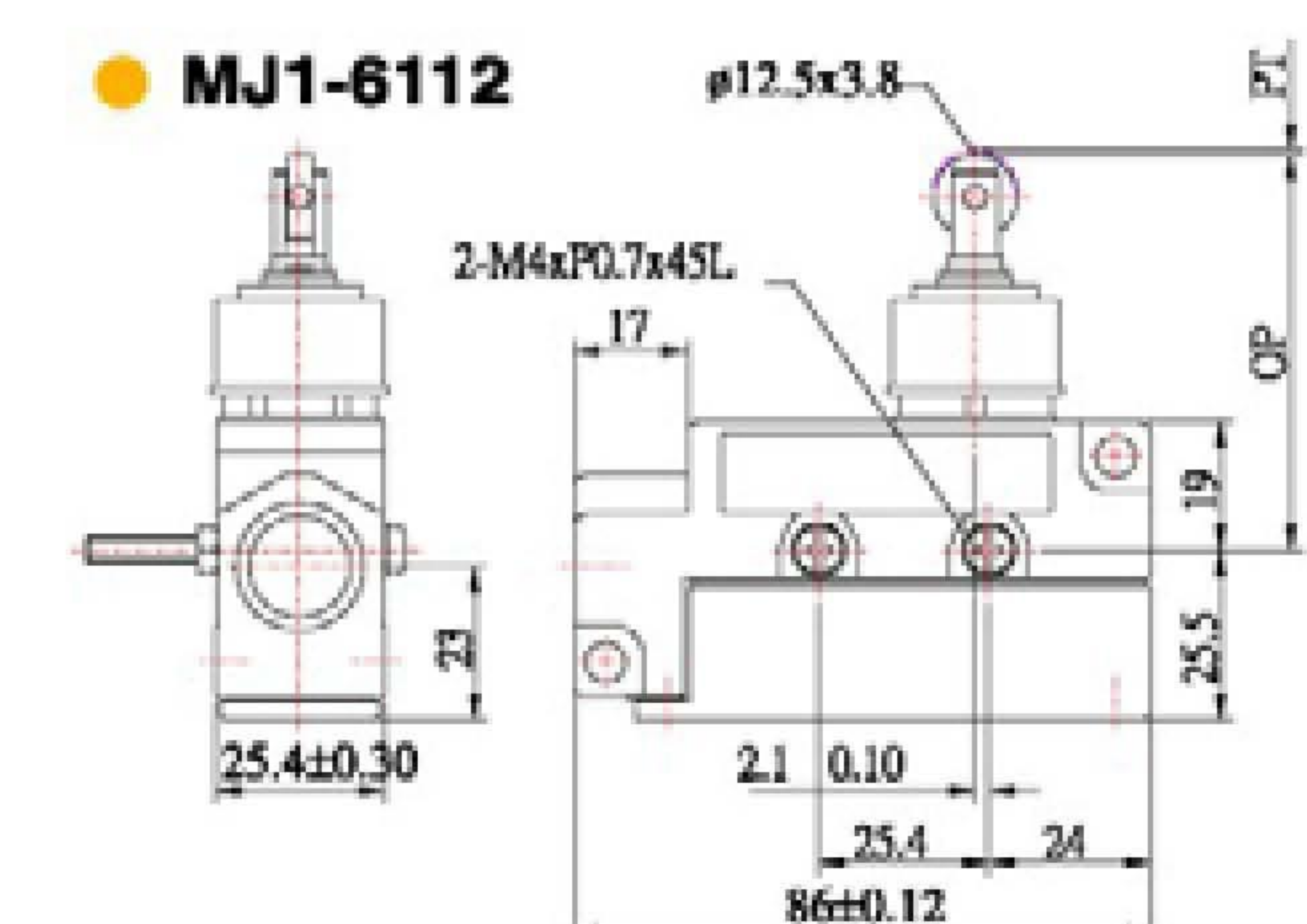
MJ1-6104 Enclosed limit switch



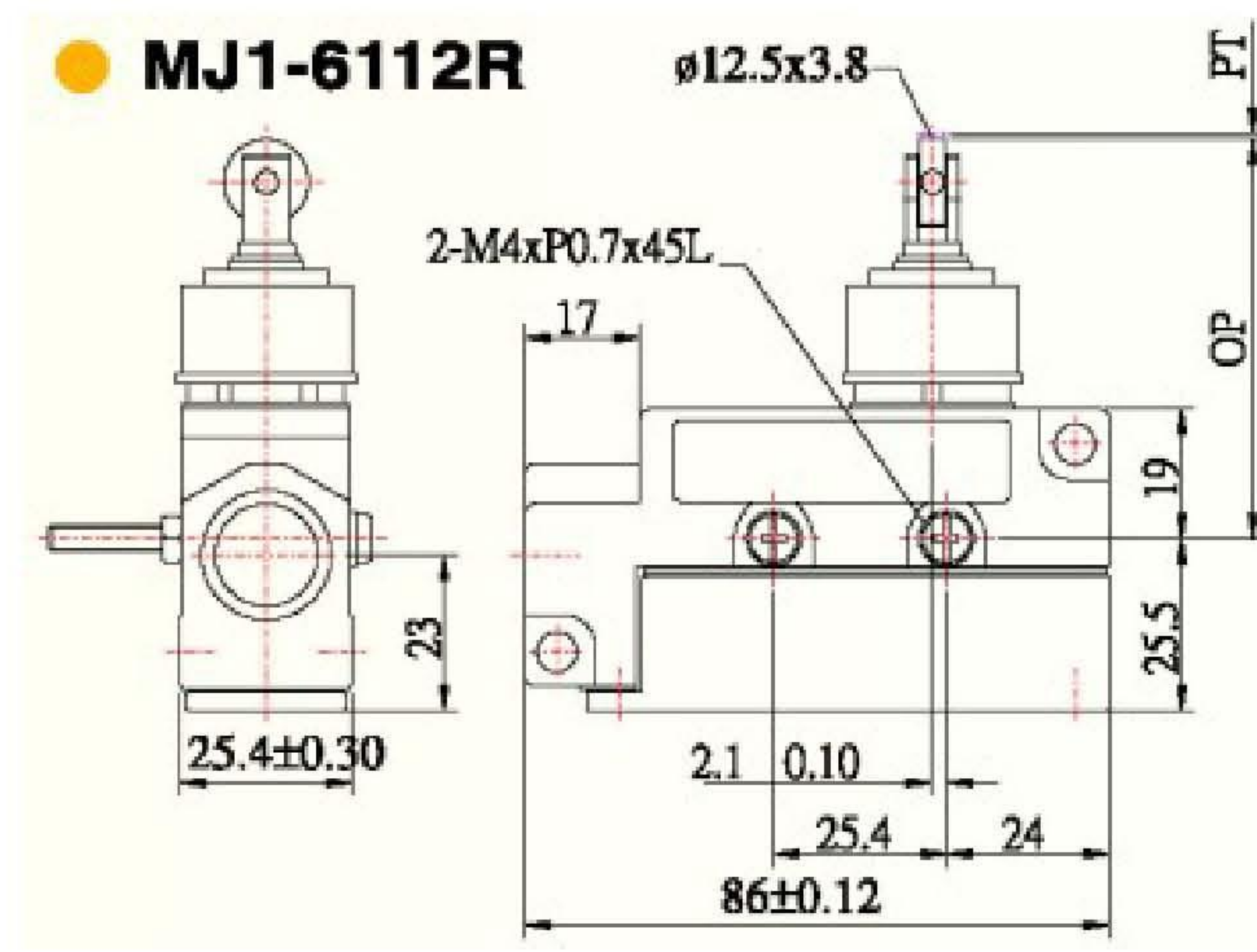
MJ1-6107 Enclosed limit switch



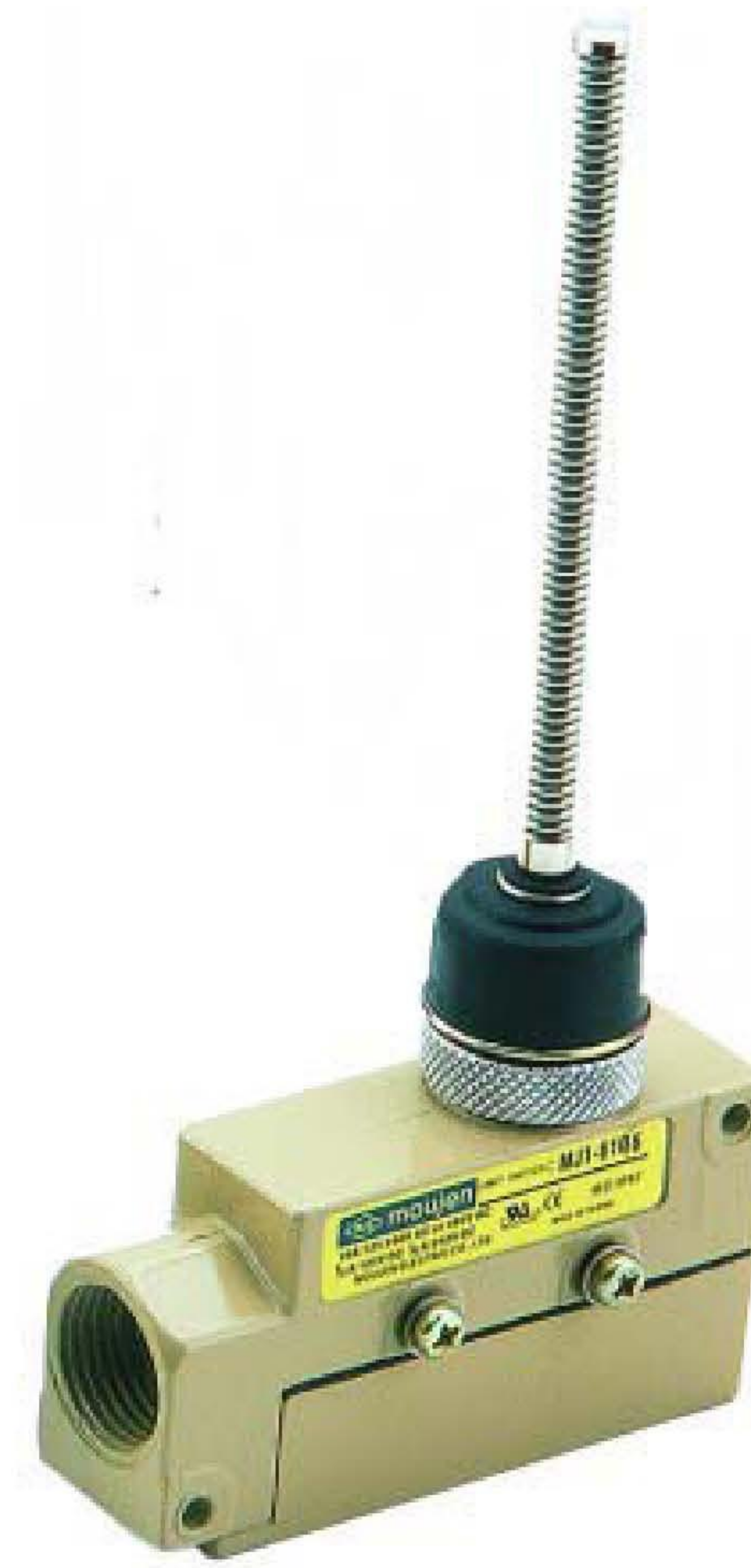
MJ1-6111 Enclosed limit switch, with seal boot, IP67



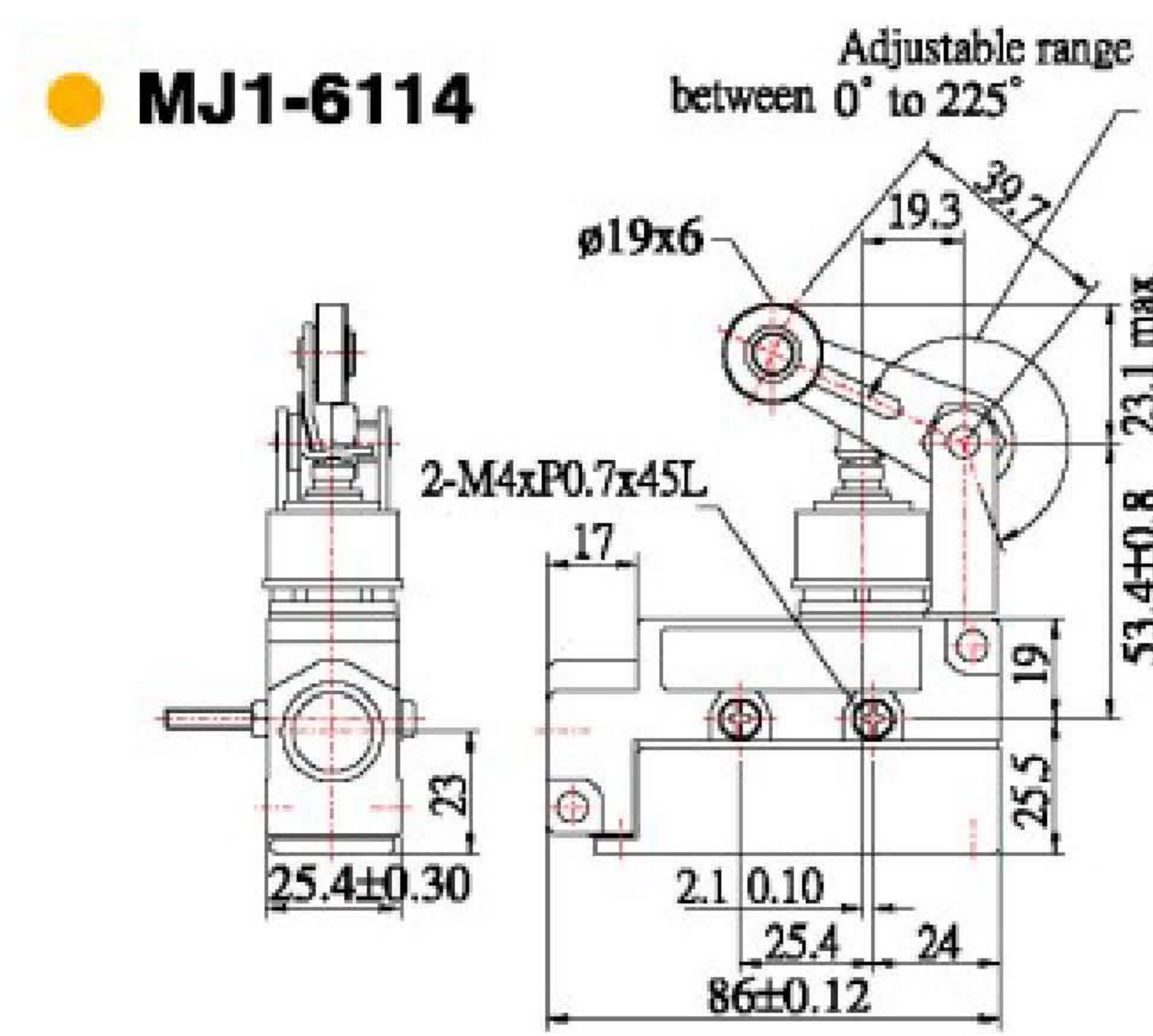
MJ1-6112 Enclosed limit switch, with seal boot, IP67



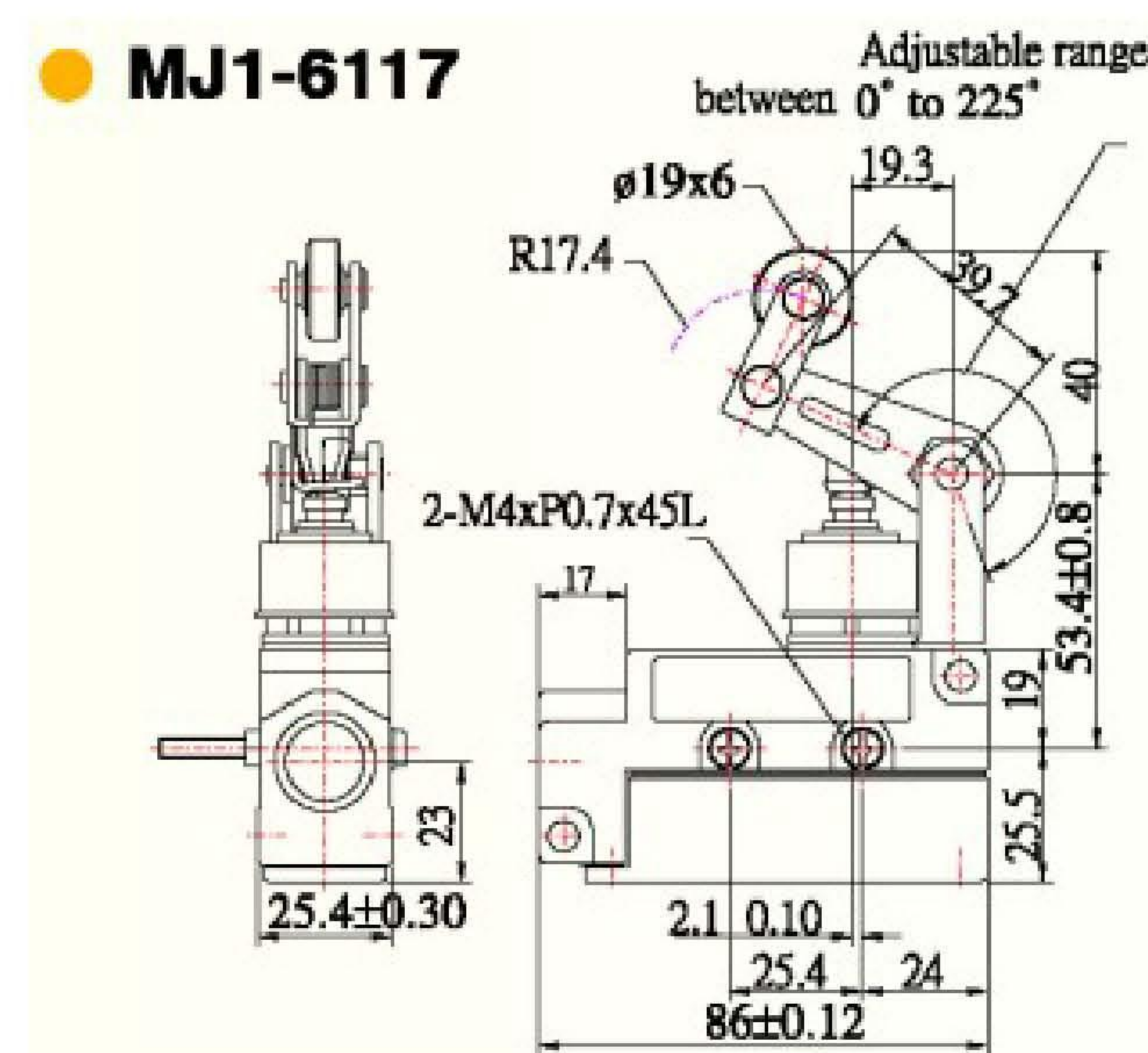
MJ1-6112R Enclosed limit switch, with seal boot, IP67



MJ1-6106 Enclosed limit switch, whole spring rod, with seal boot, IP67



MJ1-6114 Enclosed limit switch, with seal boot, IP67



MJ1-6117 Enclosed limit switch, with seal boot, IP67