

# 2 WIRE TEMPERATURE TRANSMITTER

## FEATURES

- Accuracy: 0.1% F.S. (PT-100), 0.2% F.S.  $\pm 0.5^{\circ}\text{C}$ , cold junction compensation
- Measuring sensor type: PT-100 / J / K / T / E / R / S / B
- Temperature units ( $^{\circ}\text{C}$ ,  $^{\circ}\text{F}$ ) programmable
- Field range power supply: 10~30Vdc
- Low cost and high stability



### Order information

MGW - Code 1

Code 1	Input Type
P	Pt-100(-200~850 $^{\circ}\text{C}$ )
B	B(200~1800 $^{\circ}\text{C}$ )
E	E(-185~990 $^{\circ}\text{C}$ )
J	J(-200~760 $^{\circ}\text{C}$ )

Code 1	Input Type
K	K(-200~1360 $^{\circ}\text{C}$ )
R	R(0~1760 $^{\circ}\text{C}$ )
S	S(0~1760 $^{\circ}\text{C}$ )
T	T(-200~395 $^{\circ}\text{C}$ )

MGW

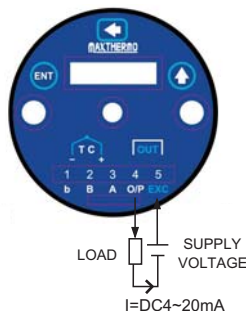


### Specifications

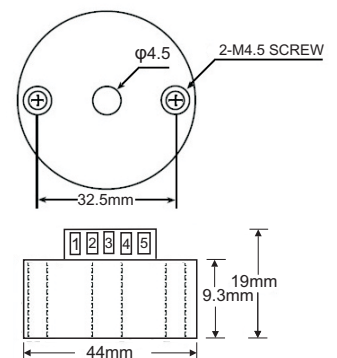
Accuracy	0.1% F.S.(Pt-100) 0.2% F.S. $\pm 0.5^{\circ}\text{C}$ (CJC)(Thermocouple)	Burnout Protection	Upscale the output current limit of approximately 21mA
CJ Compensation	$<\pm 0.5^{\circ}\text{C}$ (0~70 $^{\circ}\text{C}$ )	Reverse Volt Protection	Included as standard
Power Supply	DC4~20mA(DC10~30V( $<21\text{mA}$ ))	Display Screen	7-segment LCD character high 5.5mm
Sensor Exciting Current	$<1\text{mA}$ (RTD)	Parameters Setting	Touch switches
Zero Range	-1999~9999	Back Up Memory	Non-volatile EEPROM memory
Span Range	-1999~9999	Surge Test	2KVac/1min. (input/case)
O/P Response Time	$<250\text{ms}$ (0~90%)	RFI Protection	2W-150MHz at 2 meter causes less than 0.5% change in output.
Output Capability	RL(max.)=(V supply-9V)/20mA (up to 750 ohms at 24VDC)	Operating Temperature	-5~60 $^{\circ}\text{C}$ (20 to 90% RH non-condensed)
Output Ripple	$<0.1\%$ F.S.	Storage Temperature	-10~70 $^{\circ}\text{C}$ (20 to 90% RH non-condensed)
Zero Adjustment	0~ $\pm 99$	Housing Material	PBT (UL94-V0)
Span Adjustment	0~ $\pm 99$	Installation	Head-mounting(DIN type B head)
Temperature Coefficient	50ppm/ $^{\circ}\text{C}$ (0~50 $^{\circ}\text{C}$ )		



### Wiring Connection



### Dimension



# Contact

## Head Office

Add: 11F., No.168, Jiankang Rd., Zhonghe Dist., New Taipei City 235, Taiwan (R.O.C.)

Tel: +886-2-2228-7950 (Rep.)

Fax: +886-2-2228-6140

E-mail : [service@maxthermo.com.tw](mailto:service@maxthermo.com.tw)

Web : [www.maxthermo.com](http://www.maxthermo.com)

## Showroom

Add: 3C25, Taipei World Trade Center, No. 5, Sec. 5, Hsin Yi Rd. Taipei Taiwan, R.O.C.

Tel: +886-2-2720-6601

Fax: +886-2-2345-5120

## Thailand Office

Add: 86/132-133 m.7 Samaedum Bangkoontien 10150 Thailand.

Tel: +662-415-8318 , +662-417-2548-49

Fax: +662-415-8798

Web : [www.thaimaximum.com](http://www.thaimaximum.com)