

CO Transmitter for Wall / Duct Type



Application

1. Monitoring for HAVC / Air conditioning system
2. Instrument testing equipment.
3. Environmental control and monitoring system.
4. Ventilation system control for indoor parking garages and building.

Features

1. Electrochemical Sensor with a long life, good long term stability and high accuracy.
2. It has lower sensitivity to interferon gases.
3. High repeatability.

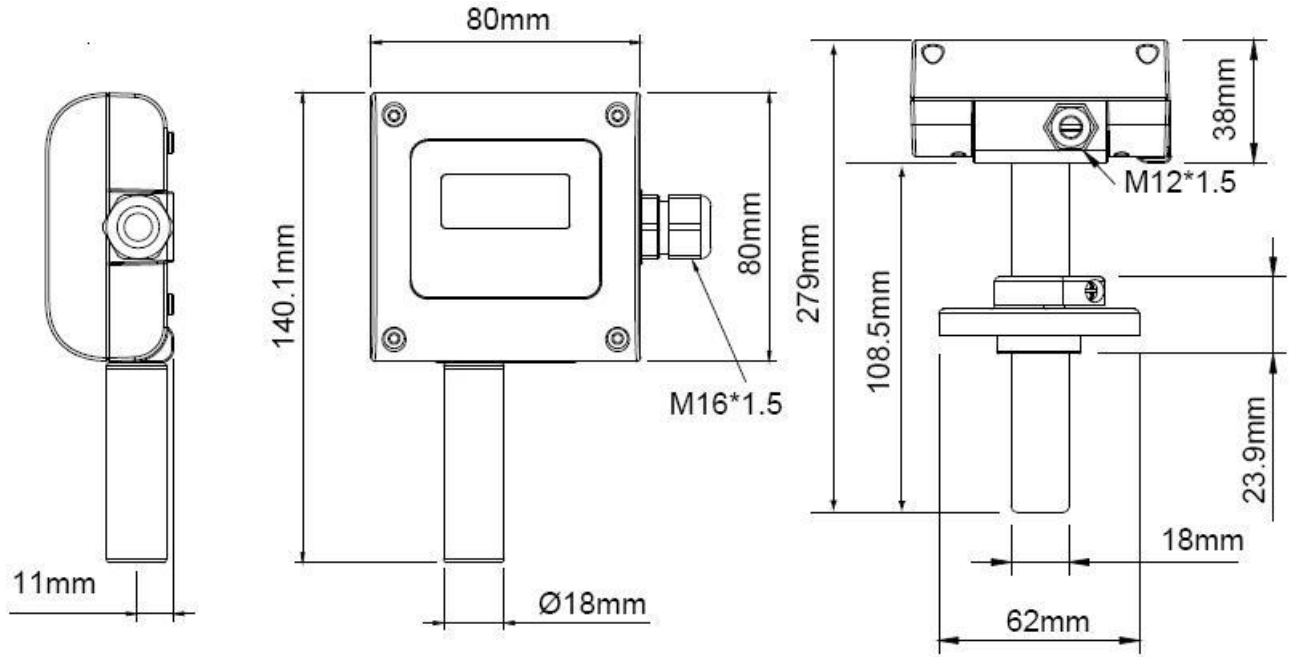
※ **Application for environmental monitoring only.**

Not for CO industrial environmental and life support system.

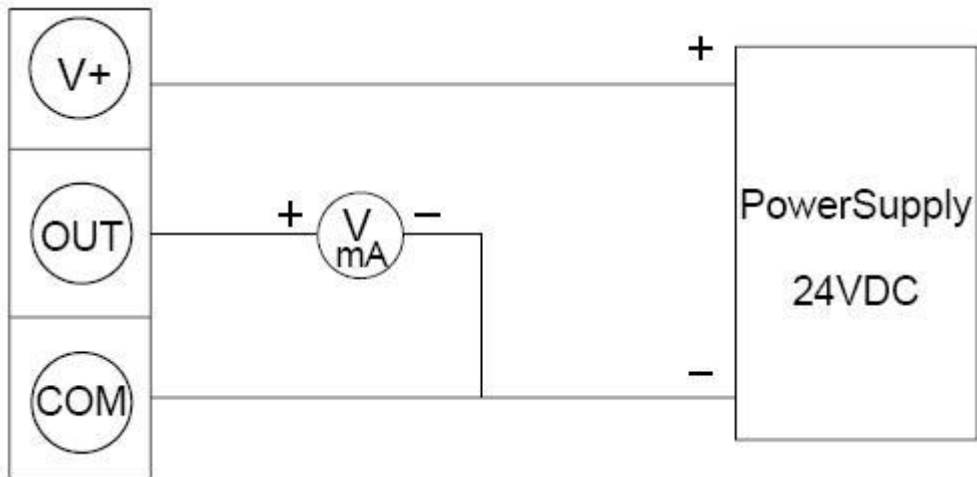
Standard Specification

Input	
Sensor type	Electrochemistry CO Sensor
Measuring range	on request
Working range	0~500PPM
Output	
Output	0~10V/ 4~20mA ; 3-wire
Linear accuracy(at 25±2°C, 40±10%RH)	±3% of F.S.
Sensitivity	<±10 ppm of measured value
Load resistance Ω	≤ 500Ω for 4 ~20mA ≥ 10 KΩ for 0 ~10V
Output calibration(ZERO&SPAN)adjustment range	10% of zero-point and full-range
Response time	60 sec.
Environment	
Media measured	non-aggressive gas(HAVC system)
Media temperature	0~50°C
Working temperature	0~50°C
Working humidity	5~95% (non-cond.)
Storage temperature	-10~60°C
Tolerance of zero-point	<± 10 ppm
Electrical regulation	
Power supply	DC 24V ±10%
Current consumption	Non-display:<40 mA ; Display:< 80mA
Electrical connection	3P connector
Installation	
Installation	Wall-mounting /Duct-mounting
Way to fix	Screw on base
Protection	
Protection degree	Housing: IP65 ; Sensor: IP20
Electrical protection	Polarity protection / short circuit
Certification	CE passed
Housing	PC(Fire-proof class)
Weight	GM03 :162g ; GM04 : 205g

External Dimension



Diagram



4~20mA / 0~10V

Order information

MGM **03** - **1** **1** **1** **1** - **N**
A B C D E F

(A) Installation	(B) Input	(C) Output	(D) Power Supply	(E) CO Range	(F) Option
03 : Wall-mounting 04 : Duct-mounting	1 : CO	1 : 4~20mA 6 : 0~10V	1 : 24 VDC+/-10%	1 : 100 PPM 3 : 300 PPM 5 : 500 PPM	N : None D : LCD Display

Contact

Taipei World Trade Center

Add: 3C25, Taipei World Trade Center, No. 5, Sec. 5, Hsin Yi Rd. Taipei Taiwan, R.O.C.

Tel: 886-2-27206601 (Rep.)

Fax: 886-2-23455120

E-mail: gitta@ms9.hinet.net

<http://www.maxthermo.com>

Factory

Add: 11F., No.168, Jiankang Rd., Zhonghe Dist., New Taipei City 235, Taiwan (R.O.C.)

Tel: 886-2-22287950 (Rep.)

Fax: 886-2-22286140

Thailand Office - THAI MAXIMUM ELECTRONIC CO., LTD

Add: 86/132-133 m.7 Samaedum Bangkoontien Bangkok 10150 Thailand.

Tel: +662-415-8318 , +662-417-2548-49

Fax: +662-415-8798

<http://www.thaimaximum.com>