

# MDP72 Series Digital Panel Meter



## Features

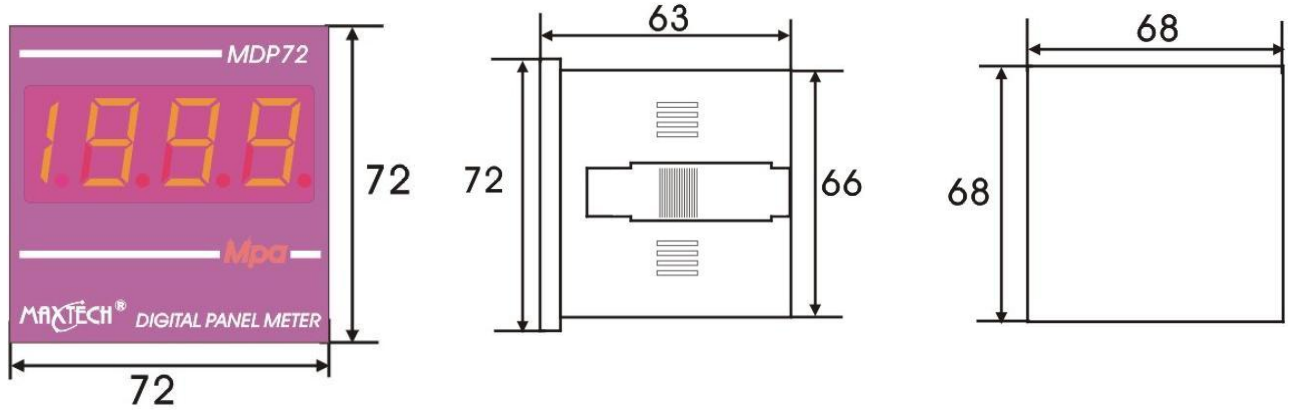
1. Visible big LED display
2. Input signal transferred by dual slope ADC
3. Anti disturbance and precise measurement

## Standard Specification

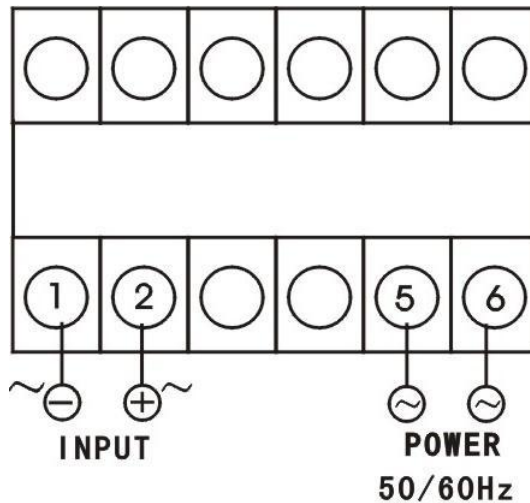
Power Supply	220VAC $\pm$ 10% ; 50/60Hz
Power Consumption	$\leq$ 4VA
Input Signal	Current 5A Direct ( $\geq$ 5A must be used with C.T.) Voltage 500V Direct ( $\geq$ 500V must be used with Potential Transformer) Analog Input : 0~5VDC, 0~10VDC, 0~20mA or other analog signal by order
Maximum Measuring Range	1999 (0-1999 adjustable)
Input Resistance	Analog Signal : $>$ 220K $\Omega$ Voltage Signal : $>$ 900 K $\Omega$ Current Signal : $<$ 0.1 $\Omega$
Resolution	0.001
Isolated Resistance	100M $\Omega$ /500VDC
Accuracy	$<$ $\pm$ 0.5%FS $\pm$ 1 Digit
Dielectric Strength	$>$ 2.5KV/1min

# External Dimension

Unit : mm



# Diagram



# Order information

MDP72 - **A** **1** **1**  
**A** **B** **C**

(A) Input Signal	(B) Decimal Points		(C) Range		
C : Current 5A Direct	0 : XXXX	3 : X.XXX	1 : 0~300	4 : 0~800	7 : 0~1500
V : Voltage 500V Direct	1 : XXX.X		2 : 0~500	5 : 0~1000	8 : 0~1800
A : Other Analog Signal	2 : XX.XX		3 : 0~600	6 : 0~1200	9 : 0~1999

# Contact

## Taipei World Trade Center

Add: 3C25, Taipei World Trade Center, No. 5, Sec. 5, Hsin Yi Rd. Taipei Taiwan, R.O.C.

Tel: 886-2-27206601 (Rep.)

Fax: 886-2-23455120

E-mail: [gitta@ms9.hinet.net](mailto:gitta@ms9.hinet.net)

<http://www.maxthermo.com>

## Factory

Add: 11F., No.168, Jiankang Rd., Zhonghe Dist., New Taipei City 235, Taiwan (R.O.C.)

Tel: 886-2-22287950 (Rep.)

Fax: 886-2-22286140

## Thailand Office - THAI MAXIMUM ELECTRONIC CO., LTD

Add: 86/132-133 m.7 Samaedum Bangkoontien Bangkok 10150 Thailand.

Tel: +662-415-8318 , +662-417-2548-49

Fax: +662-415-8798

<http://www.thaimaximum.com>