

RS-485 Remote I/O Modules



MDA-8708
8-Channel Relay Output Module

System Specification

Communication	
Interface	RS-485
Format	N, 8, 1
Baud Rate	9600 ~ 115200 bps
Protocol	Modbus RTU
LED Indicator	
Power Indicator	1
Communication Indicator	1
I/O Indicator	8
Isolation	
Voltage	3000V DC
Power	
Input Range	24V DC $\pm 10\%$
Consumption	Approx. 2.5W
Reverse Polarity Protection	Yes
Environment	
Operating Temperature	-25 ~ +75 °C
Storage Temperature	-40 ~ +85 °C
Humidity	10 ~95% RH, Non-condensing

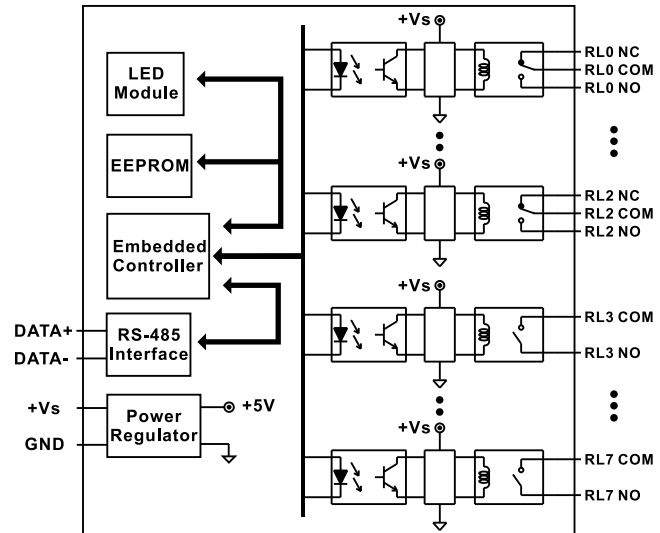
I/O Specification

Relay	RL0~RL2	RL3~RL7
Channels	RL0~RL2	RL3~RL7
Contact Type	1 Form C	1 Form A
Rated Voltage	250V AC	250V AC
Rated Current	5A	3A
Mechanical Endurance	15 x 10 ⁶ ops.	10 x 10 ⁶ ops.
Electrical Endurance	10 ⁵ ops.	10 ⁵ ops.

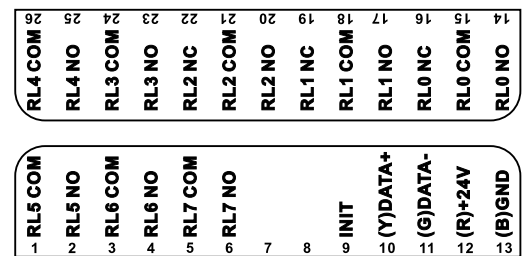
Feature

- 8 Relay Outputs
- On/Off Control Systems
- Industrial Automation
- Building Automation
- Semiconductor Fabrication

Internal I/O Structure

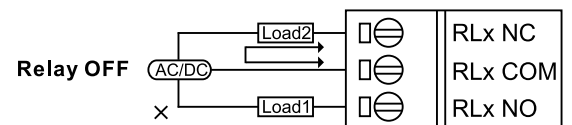
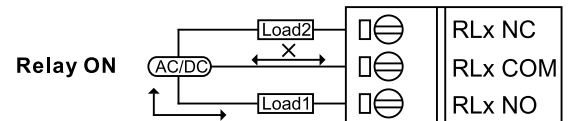


Pin Assignments



Wire Connections

Relay Output in RL0~RL2



Relay Output in RL3~RL7

