

RS-485 Remote I/O Modules



MDA-8416

16-Channel Isolated Digital Output Module

System Specification

Communication	
Interface	RS-485
Format	N, 8, 1
Baud Rate	9600 ~ 115200 bps
Protocol	Modbus RTU
LED Indicator	
Power Indicator	1
Communication Indicator	1
I/O Indicator	16
Isolation	
Voltage	3000V DC
Power	
Input Range	24V DC $\pm 10\%$
Consumption	Approx. 1W
Reverse Polarity Protection	With
Environment	
Operating Temperature	-25 ~ +75 °C
Storage Temperature	-40 ~ +85 °C
Humidity	10 ~95% RH, Non-condensing

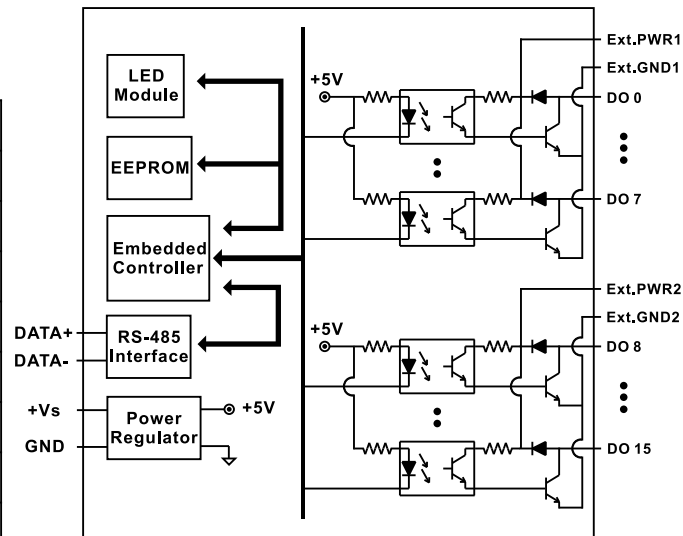
I/O Specification

Digital Output	
Channels	16 Sink
Output Type	Open Collector (NPN)
Load Voltage	+3.5V~ +50 V
Max Load Current	100mA per channel
Surge Protection	± 3 kV for Power Input

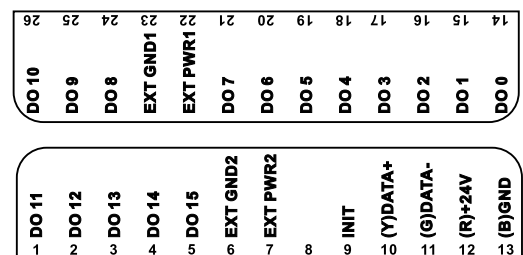
Feature

- 16 Digital Output
- On/Off Control Systems
- Industrial Automation
- Building Automation
- Semiconductor Fabrication

Internal I/O Struction

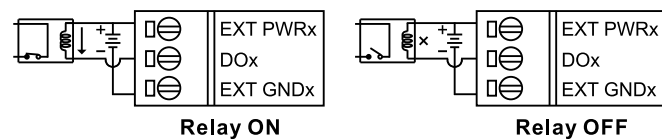


Pin Assignments



Wire Connections

Drive Relay



Resistance Load

