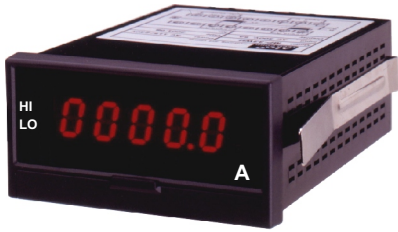


# 微處理盤面型電錶

# MICROPROCESS 4 1/2 DIGITAL PANEL METER

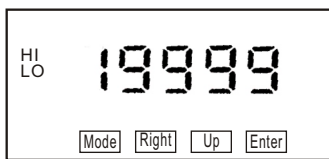


**DM - 52D** DC V/A, Analog Meter  
**DM - 52A** TRMS AC V/A Meter

## Specifications

**Display :** Red LED 0.56" (14.2mm) high  
**Max. Display :** 4 1/2 Digits (±19999)  
**Polarity Display :** "-" symbol is displayed automatically  
**Over range Indication :** "o.L"  
**Conversion Rate :** 2.5/sec.(DC) or 1/sec.(AC)  
**Decimal Point :** Settable to any digit position by front sheet switch  
**Accuracy :** DC±0.05% FS. (23±5°C)  
 AC±0.1% FS. (23±5°C)  
**Operating Temp. :** 0~60°C/ Below 80%R.H.  
**Storage Temp. :** -10~70°C/ Below 70% R.H.  
**Power Supply :** AC 115/230V±10%, 50/60Hz  
 Option : DC 12, 24, 48, 120V±20%  
**Power Consumption :** Approx. 5VA  
**Weight :** Approx.500g  
**Dielectric Strength :** AC 1500V/1min ( Input/Power )  
**Insulation Resistance :** More than 100MΩ at 500VDC  
**Dimensions :** 96(W) x 48(H) x 144(D)mm  
**Housing Material:** ABS,UL94V-0  
**Panel Cut-Out :** 91.5(W) x 44(H)mm

## RS-485 Interface (option)



Address : 1 ~ FF  
 Baudrate : 19200,9600,4800,2400  
 Frame : N.8.2, E.8.1, O.8.1, N.8.1  
 Protocol : Modbus RTU Mode

## Analog output (option)

Output : Voltage 0~10V, Ampere 4~20mA  
 Accuracy : ±0.1% F.S

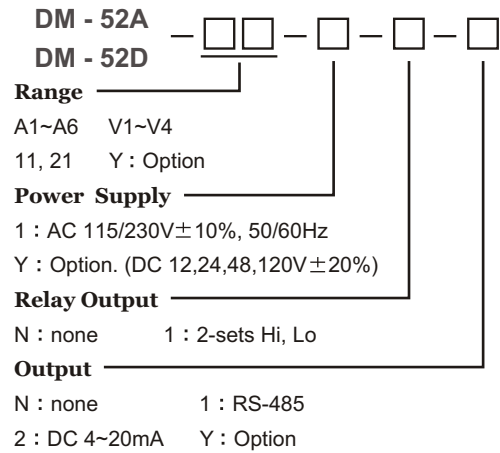
## Relay output (option)

**Control System :** Microcomputer  
**Setting Range :** -9999 to +9999  
**Relay Contact Capacity :** AC 250V, 1A resistive load  
 DC 30V, 2A resistive load

## Features

- 4 1/2 Digits (Option : 0~50000)
- True RMS V/A
- Rate free setting
- Output DC 24V (30mA) for two wire sensor
- 4~20mA, 1~5V Measurement

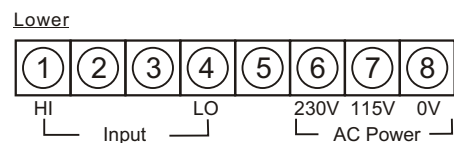
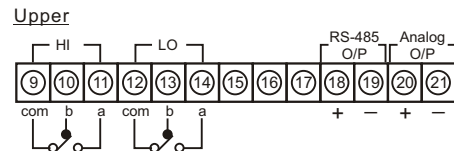
## Order Code



## Measurement Item

Code	Range	Input Impedance	Input Protection	Display Adjustable
A1	0~1.9999mA	100Ω	50mA	Offset : ±9999 Fullscale : ±9999
A2	0~19.999mA	10Ω	150mA	
A3	0~199.99mA	1Ω	500mA	
A4	0~1.9999A	0.1Ω	3A	
A5	0~5.000A	0.05Ω	10A	
A6	0~10.000A	0.01Ω	15A	
V1	0~ 1.9999V	1MΩ	300V	Offset : ±9999 Fullscale : ±9999
V2	0~ 19.999V		300V	
V3	0~ 199.99V		600V	
V4	0~ 600.0V		300V	
11	DC 1~5V		±300V	
21	DC 4~20mA	10Ω	±200mA	

## Connection Diagram



When used as DC24V supply

