




## FAB Series Programmable Logic Controller



### Features

1. Simpler and easier to learn than the conventional PLC.
2. Special function: It can perform telephone voice prompting and auto-dialing functions.
3. Programming panel to program and simple Human-Machine Interface to display.
4. Support OPC Client Communication.
5. In the main engine constructs most 12 analogy inputs: May make the temperature, the humidity, the pressure, the current capacity, the fluid position and so on control.

# Standard Specification

AF-10 Main Machine Model				
Product	Type	Power Supply	Input	Output
	AF-10MR-A	AC100-240V	6 Point AC digital input	4 points relay output
	AF-10MR-D	DC12-24V	6 Point DC (with analog)digital input	4 points relay output
	AF-10MR-E	AC14-20V/ DC12-24V	6 Point AC/ DC digital input	4 points relay output
	AF-10MT-E	DC12-24V	6 Point DC digital input	4 Points transistor output (equivalent NPN)
	AF-10MT-D	DC12-24V	6 Point DC digital input	4 Points transistor output (equivalent NPN)
	AF-10MT-GD	DC12-24V	6 Point DC digital input	4 Points transistor output (equivalent PNP)
AF-20 Main Machine Model				
Product	Type	Power Supply	Input	Output
	AF-20MR-A	AC100-240V	12 Point AC digital input	8 points relay output
	AF-20MR-D	DC12-24V	12 Point DC (with analog)digital input	8 points relay output
	AF-20MR-E	AC14-20V/ DC12-24V	12 Point AC/DC digital input	8 points relay output
	AF-20MT-E	DC12-24V	12 Point DC digital input	8 Points transistor output (equivalent NPN)
	AF-20MT-D	DC12-24V	12 Point DC digital input	8 Points transistor output (equivalent NPN)
	AF-20MT-GD	DC12-24V	12 Point DC digital input	8 Points transistor output (equivalent PNP)
Telephone Voice Module				
Product	Type	Power Supply	Brief Description	
	AF-MUL-A	AC110-220V	Automatically dialing, remotely monitoring, controlling the telephone, and playing/recording voice.	
	AF-MUL-D	DC12-24V		
	AF-AUD	-	This interface is the connector between telephone voice module and the PC	

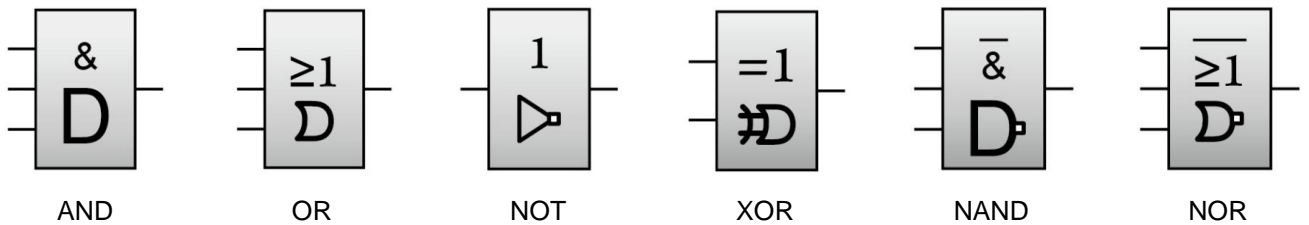
Common Specification						
Type	AF-10MR-A	AF-10MR-E	AF-10MT-E	AF-10MR-D	AF-10MT-D	AF-10MR-GD
Item	AF-20MR-A	AF-20MR-E	AF-20MT-E	AF-20MR-D	AF-20MT-D	AF-20MR-GD
Power Supply						
Rated Voltage	AC100-240V	AC14-20V/ DC12-24V	DC12 / 24V	DC12 / 24V	DC12 / 24V	DC12 / 24V
Allowable Range	AC85-260V	AC12-24V / DC10-28V	DC10-28V	DC10-28V	DC10-28V	DC10-28V
Power Consumption	3W/ 5W	3W / 5W	1.5W / 2W	3W / 5W	1.5W / 2W	1.5W / 2W
Input Section						
Digital Input	Yes	Yes	Yes	Yes	Yes	Yes
Analog Input	No	No	No	Yes	Yes	Yes
Voltage for Signal 0	AC0-40V	AC0-5V / DC0-5V	DC0-5V	DC0-5V	DC0-5V	DC0-5V
Voltage for Signal 1	AC80-240V	AC10-24V / DC10-24V	DC10-24V	DC10-24V	DC10-24V	DC10-24V
Analog Voltage	/	/	/	DC0-10V	DC0-10V	DC0-10V
Current for Signal 0	<0.1mA	<0.2mA	<0.5mA	<0.4mA	<0.4mA	<0.4mA
Current for Signal 1	<0.2mA	<1mA	<1mA	<1mA	<1mA	<1mA
Output Section						
Output Type	Relay	Relay	Transistor (NPN)	Relay	Transistor (NPN)	Transistor (PNP)
Output Voltage	AC0-240V / DC0-24V	AC0-240V / DC0-24V	DC0-24V	AC0-240V / DC0-24V	DC0-80V	DC0-80V
Output Current	Resistor 10A Induction 2A	Resistor 10A Induction 2A	≤2A	Resistor 10A Induction 2A	≤2A	≤2A
Switch Frequency						
Mechanism	10Hz	Resistance Load	2Hz	Sensitive Load	0.5Hz	
Environment Data						
Operating Temperature	0°C~55°C	Protect Type	IP20	25°C Clock Buffer	100h	
Storage Temperature	-40°C~70°C	Interference Regulation	EN55011 (B class)	RTC Accuracy	Max ±5s/day	
Transportation Temperature	-40°C~70°C	Insulation Intensity	IEC1131			
Others						
Timers	127	RTC Time Intervals	127	Storage Capacity	64k	
Counters	127	Dimensions	90X71X58 (10 Points) / 90X126X58 (20Points) (Unit: mm)			
Function Blocks	127	Installation	Use a standard 35mm DIN rail or screw			

# System Structure

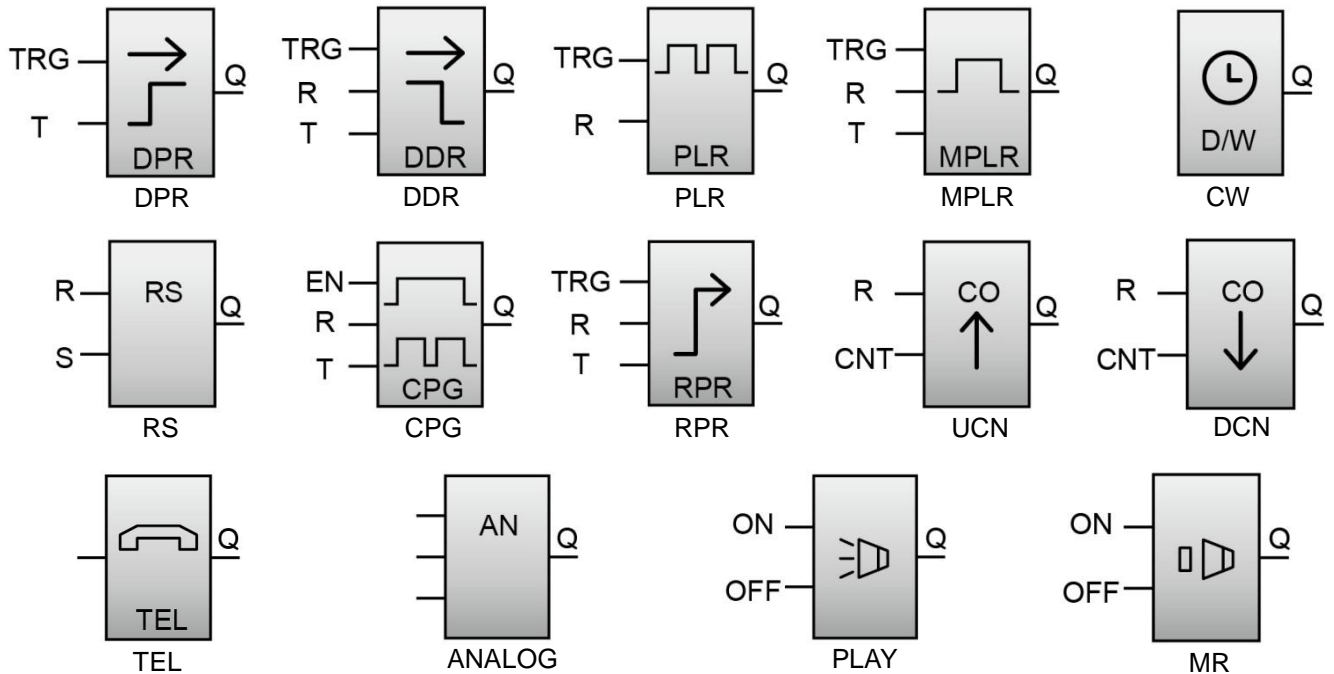


## FAB Function

### 6 Basic Function Blocks



### 14 Special Function Blocks



# Contact

## Taipei World Trade Center

Add: 3C25, Taipei World Trade Center, No. 5, Sec. 5, Hsin Yi Rd. Taipei Taiwan, R.O.C.

Tel: 886-2-27206601 (Rep.)

Fax: 886-2-23455120

E-mail: [gitta@ms9.hinet.net](mailto:gitta@ms9.hinet.net)

<http://www.maxthermo.com>

## Factory

Add: 11F., No.168, Jiankang Rd., Zhonghe Dist, New Taipei City 235, Taiwan (R.O.C.)

Tel: 886-2-22287950 (Rep.)

Fax: 886-2-22286140

## Thailand Office - THAI MAXIMUM ELECTRONIC CO., LTD

Add: 86/132-133 m.7 Samaedum Bangkoontien Bangkok 10150 Thailand.

Tel: +662-415-8318 , +662-417-2548-49

Fax: +662-415-8798

<http://www.thaimaximum.com>