

# 多功能KWH錶 MICROPROCESS KWH METER



**CK-550** KWH, KW, V, A (Max.30A)

## Features

- Display : 8 digits LED display KWH, KW, V, A  
6 digits LED display surplus KWH and dollars
- Prepayment with IC card
- Current Max. 30A
- Pulse constant : 2K Pulse/KWH
- RS-232 output : Prepayment with IC card
- RS-485 output : Used data collection and parameter setting

## Specifications

<b>Display :</b>	8 digits Red LED 0.4" high (KWH, KW, V, A) 6 digits Red LED 0.4" high (KWH, NT)
<b>Parameter setting :</b>	Touch switches
<b>Memory :</b>	NV RAM
<b>Accuracy :</b>	±1% FS. ±2 digits
<b>Operating Temp. :</b>	0~50°C/ Below 80%R.H.
<b>Storage Temp. :</b>	-10~60°C/ Below 70% R.H.
<b>Power Supply :</b>	AC 90~260V, 50/60Hz
<b>Option :</b>	DC 24, 48, 120V ±20%
<b>Power Consumption :</b>	Approx. 5VA
<b>Weight :</b>	Approx.550g
<b>Dielectric Strength :</b>	AC 2000V/1min ( Input/Power )
<b>Insulation Resistance :</b>	More than 100MΩ at 500VDC
<b>Dimensions :</b>	110(W) × 110(H) × 140(D)mm

## Input

Circuit	AC Input			Max. Reading (KWH)
	Voltage	Current	Freq.	
1 φ 2 W	120V	5A	50Hz	999999.99
	240V	30A	60Hz	9999999.9
	480V			

**Burden :** Voltage ≤ 0.1VA  
Current ≤ 0.2VA

**Max. over :** Voltage → AC 650V continuous  
Current → 3 × rated continuous

**Frequency :** 45~65Hz

## Output

### RS-485 Interface (option)

Address : 1 ~ FF  
Baudrate : 19200,9600,4800,2400  
Frame : N.8.2, E.8.1, O.8.1, N.8.1  
Protocol : Modbus RTU Mode

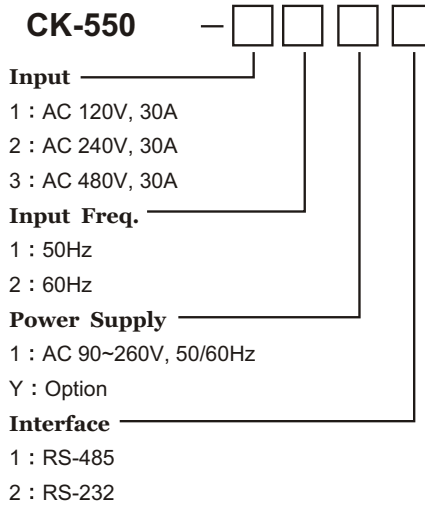
### DO output (option)

Output : 1 x Relay  
Relay Contact Capacity : AC 250V, 1A resistive load  
DC 30V, 2A resistive load

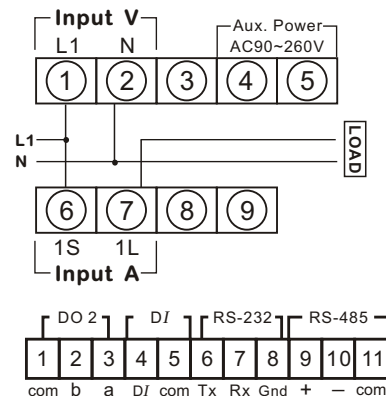
### DI input (option)

Digital input : 1 x point

## Order Code



## Connection Diagram



## Dimensions (mm)

