

RELAYS & COMPONENTS *BTA6*



- Shows relay status in manual or powered condition.
- Shows coil “on” or “off” status ideal in low light conditions.
- Allows for manual operation of relay without the need for coil power. ideal for field service personnel to test control circuits
- When activated, holds push button and contacts in the operate position. excellent for analyzing circuit problems
- Allows operator to remove relays from sockets more easily than conventional relays
- Used for identification of relays in multi-relay circuits
- **TUV** R 50048636 0001
- **UL** E115915

⇒ Contact rating

		BTA6-2C/3C	
Contact capacity resistive load (CosΦ=1)		10A , 240VAC	
		10A ,28VDC	
Motor(UL)	120VAC	1/3HP	
	240VAC	1/2HP	
Contact capacity inductive load(TUV) (cosΦ=0.4 , L/R=7ms)		5A, 240VAC	
		5A, 24VDC	

⇒ Coil rating

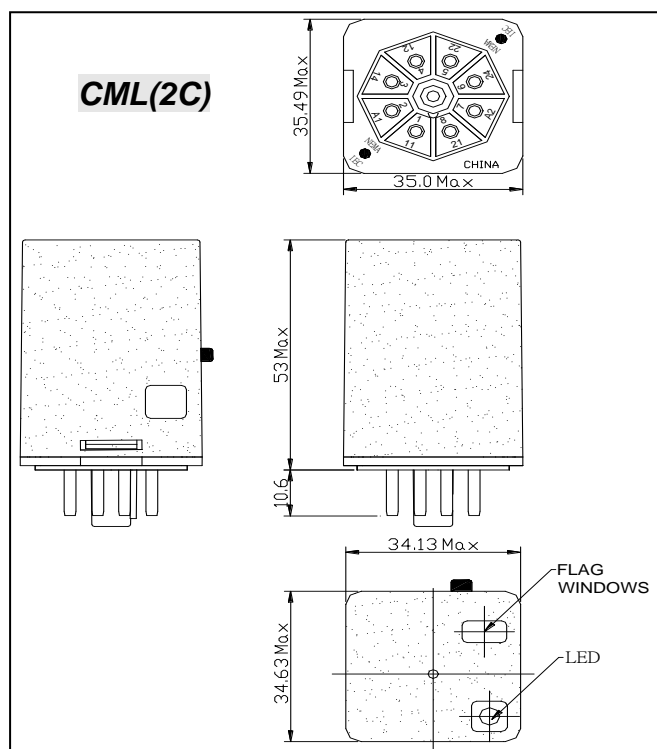
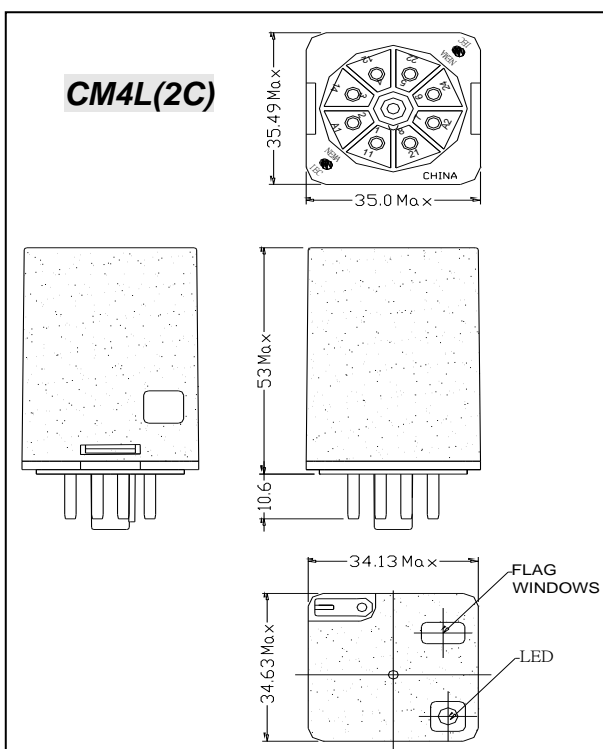
Rated voltage (V)			Coil resistance (Ω)	Max. Pull-in voltage	Min. Dropout voltage	Max. Allowable voltage	Power consumption
			±10% at 25°C	% of rated voltage at 25°C			
DC	2C	6	32	80 Max.	10 Min.	110 Max.	Approx. 1.2~2.0W
		12	120				
	3C	24	470				
		48	1800				
		110	10000				

AC	2C	6	4.2	85 Max.	30 Min.	110 Max.	Approx. 2.0~2.75VA
		12	18				
		24	72				
	3C	48	290				
		110/120	1700				
		220	7200				
		230	8000				
	240	9000					

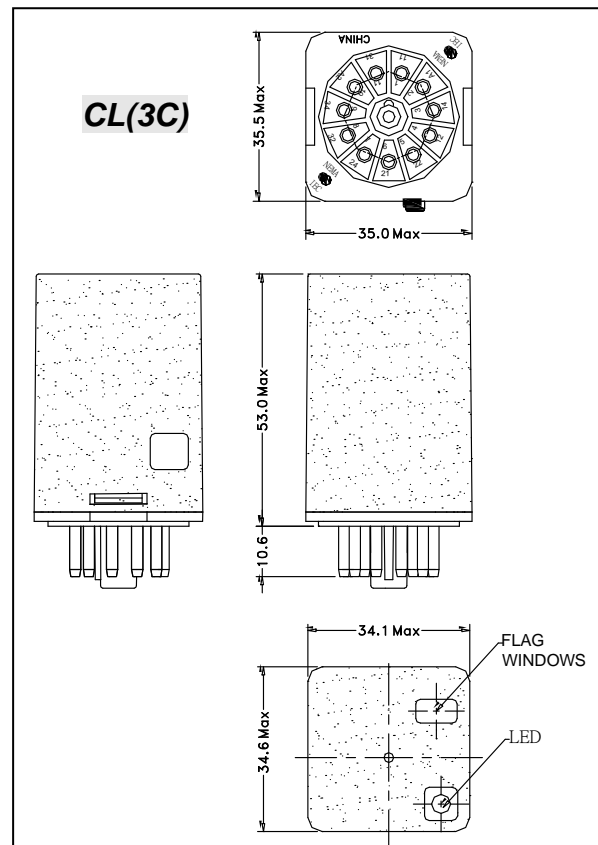
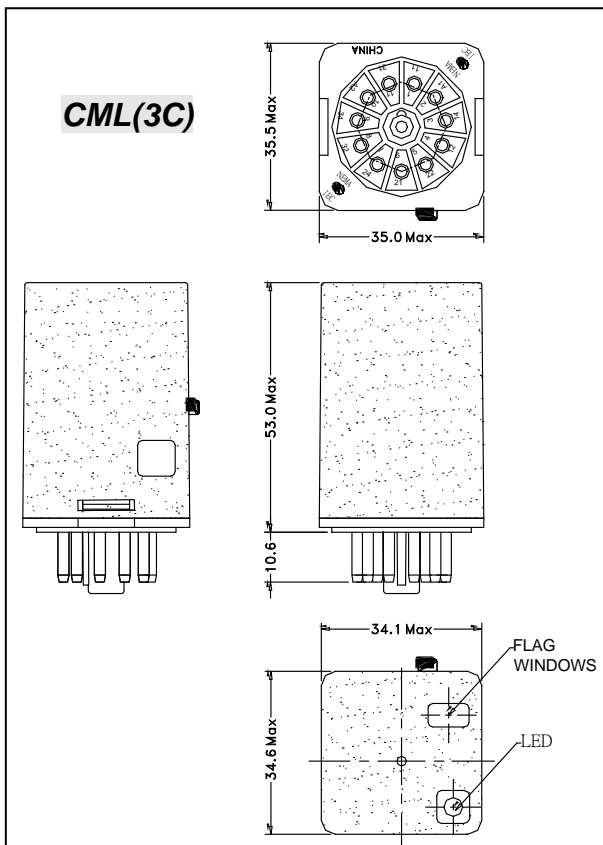
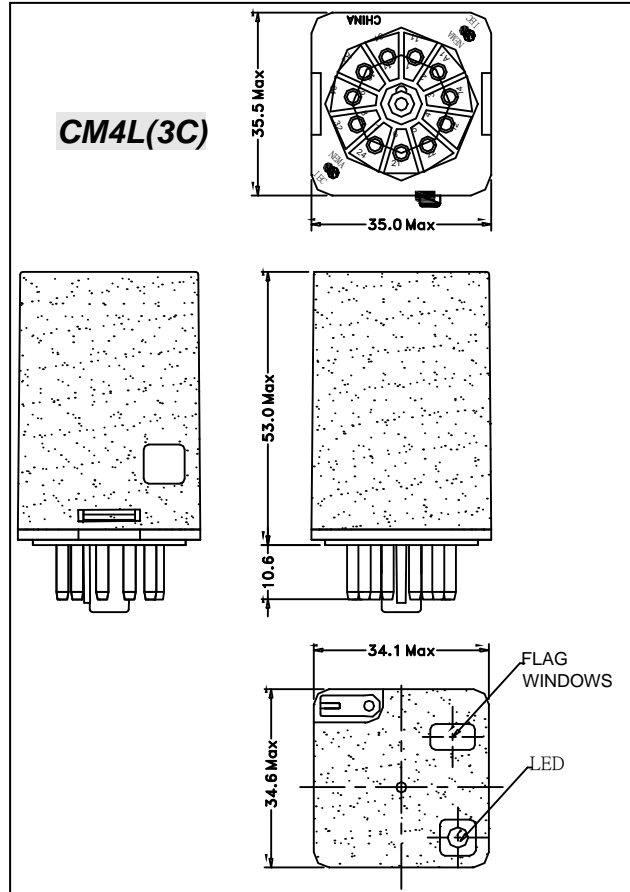
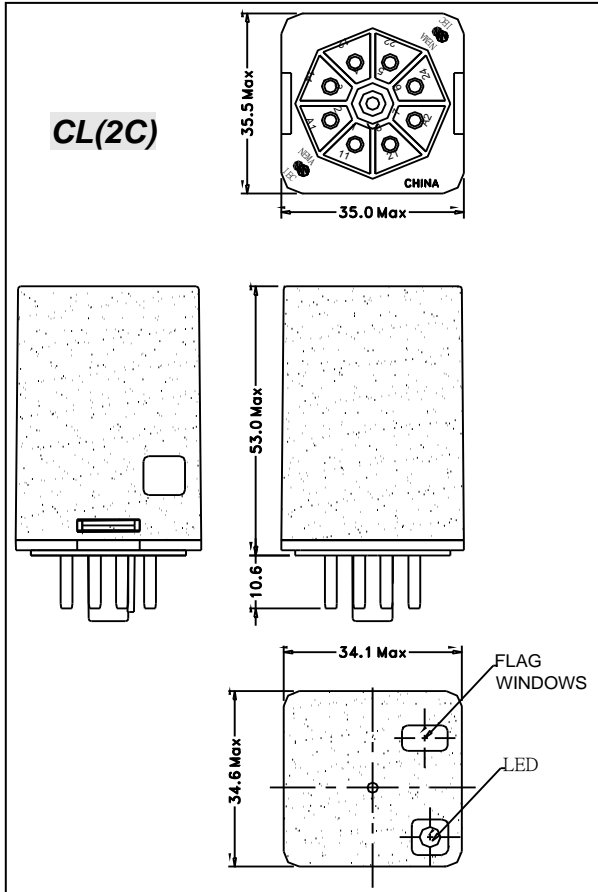
⇒ Specifications

Contact resistance	50mΩ Maximum.
Operate time	20mS Maximum.
Release time	15mS Maximum.
Insulation resistance	500MΩ Minimum. At 500VDC.
Dielectric strength	Between open contact: 1500 VAC for 1 minute.
	Between contact and coil: 1500VAC for 1 minute.
	Between live parts and ground: 1500VAC for 1 minute.
Temperature (operating)	-30°C TO +50°C (AC); -30°C TO +55°C (DC).
Mechanical life	10,000,000 operations.
Electrical life	100,000 operations.
Contact material	AgSnO2/AgNi10 gold flashed
Weight (approx.)	88g

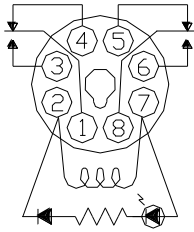
⇒ Options



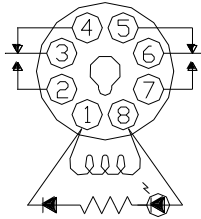
Options



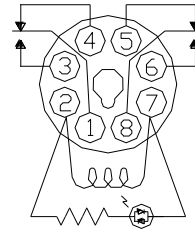
⇒ Wire diagrams (Bottom view)



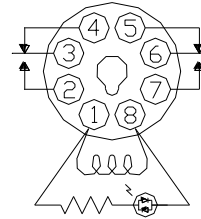
2C-J AC



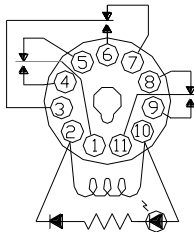
2C-U AC



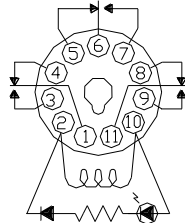
2C-J DC



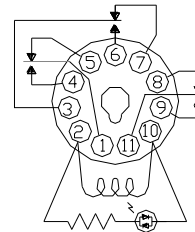
2C-U DC



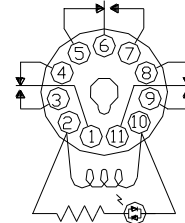
3C-J AC



3C-U AC



3C-J DC



3C-U DC

⇒ How to order

BTA6-3C - U-C M4L- 12 VAC

Coil voltage
Options

M: Manual push button 4: lock down
L: single-polar LED (AC), bi-polar LED (DC)

W: without flag

Cover style

C: plain cover

Wire style

J: J style U: U style

Contact material

Blank: AGSNO₂ / AgNI₁₀ gold flashed

Contact rating

Blank: 10A

Contact arrangement

2C: DPDT 3C: 3PDT

SERIES