

RELAYS & COMPONENTS *BTA 12*



- Encased plug-in style.
- Quick connect receptacles or direct soldering.
PCB terminals also acceptable.
- Large capacity 30A contact rating.
- Optional blowout magnet: high voltage DC switching.
- Wide spacing between stationary contact terminals: clearance for fully booted quick connect terminals.
- 2 mm contact gaps: 8 mm creep age and clearance to meet in terminal requirements.
- Improved dielectric strength between contacts: 4000vrms dielectric between mutually insulated conductive elements and frame.
- L.E.D. status lamp: shows coil "ON" or "OFF" status.

⇒ Contact rating

		BTA12	
Contact capacity resistive load (cos.=1)		30A 28VDC	
		30A 300VAC	
Motor	120VAC	1HP	
	208-600VAC	2HP	

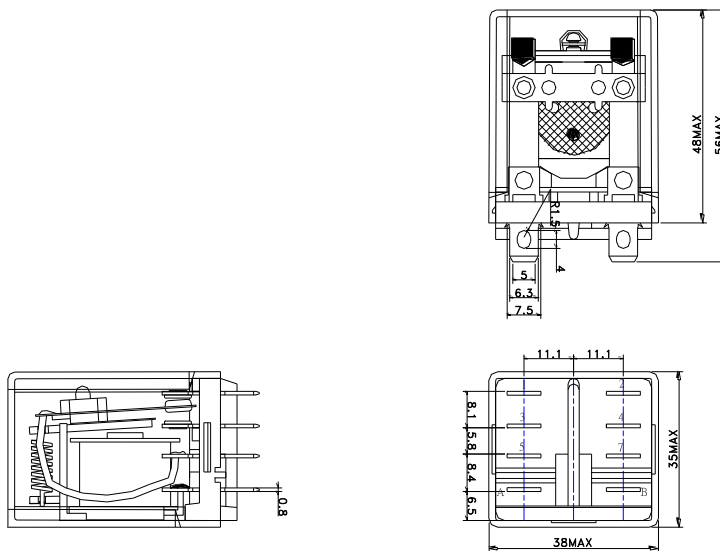
⇒ Coil rating

Rated voltage (V)		Coil resistance (Ω)	Max. Pull-in voltage	Min. Dropout voltage	Max. Allowable voltage	Power consumption
		±10% at 25°C	% of rated voltage at 25°C			
DC	2C	6	80 Max.	10 Min.	110 Max.	Approx. 2.0W
		12				
		24				
		36				
		48				
		60				
		110				
AC	2C	6	85 Max.	30 Min.	110 Max.	Approx. 3.4VA
		12				
		24				
		120				
		240				

⇒ Specifications

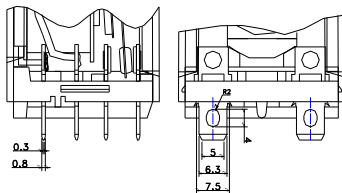
Contact resistance	50mΩ maximum
Operate time	25mS maximum
Release time	25mS maximum
Insulation resistance	1000MΩ minimum at 500VDC
Dielectric strength	Between open contact: 2500 VAC for 1 minute
	Between contact and coil: 2500VAC for 1 minute
	Between live parts and ground:4000VAC for 1 minute
Temperature (operating)	-30°C to +50°C (AC); -30°C to +65°C (DC)
Mechanical life	10,000,000 operations
Electrical life	100,000 operations
Contact material	AgCdO/AgSnO2
Weight (approx.)	85g

⇒ Dimensions

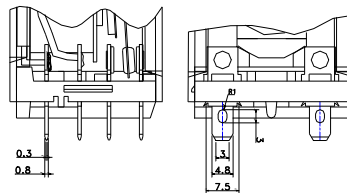


⇒ Terminal style

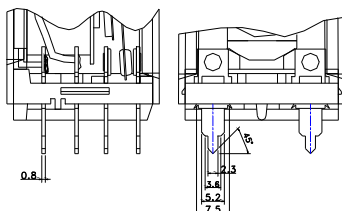
Standard terminal: code S



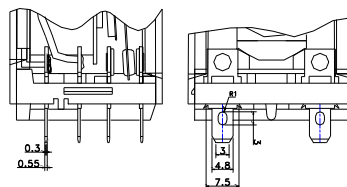
Code:S1



Code:P1



Code:S2



RELAYS & COMPONENTS *BTA12*

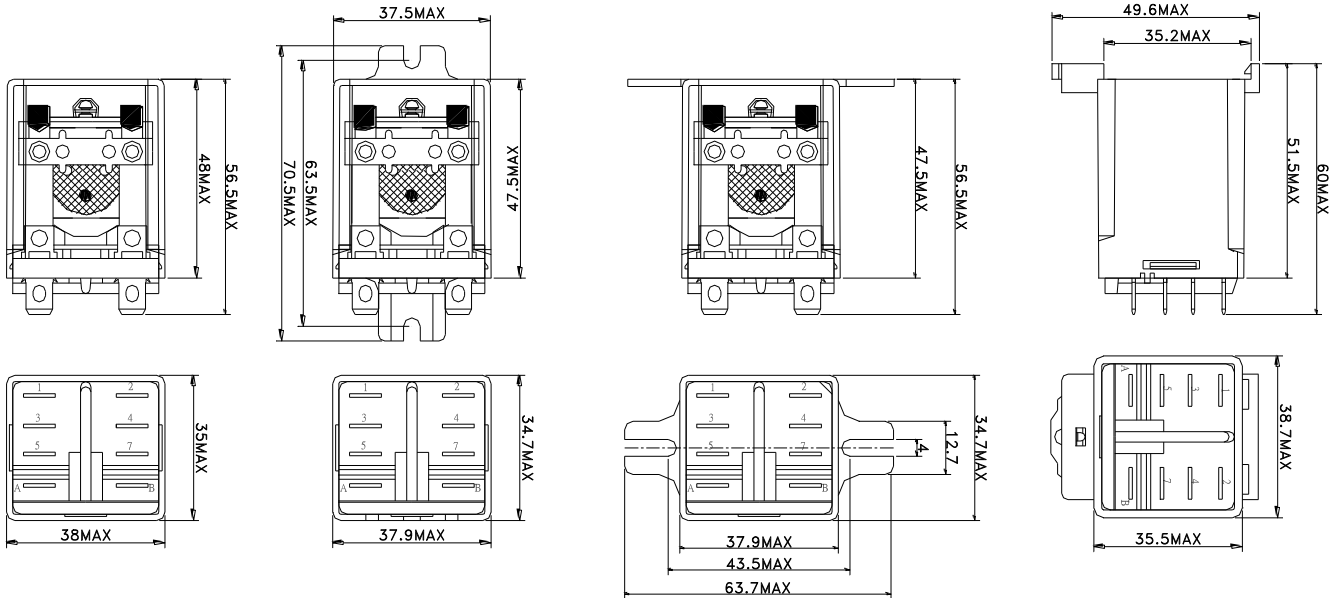
⇒ Cover style

Plain cover:code C

Side flange cover:Code C1

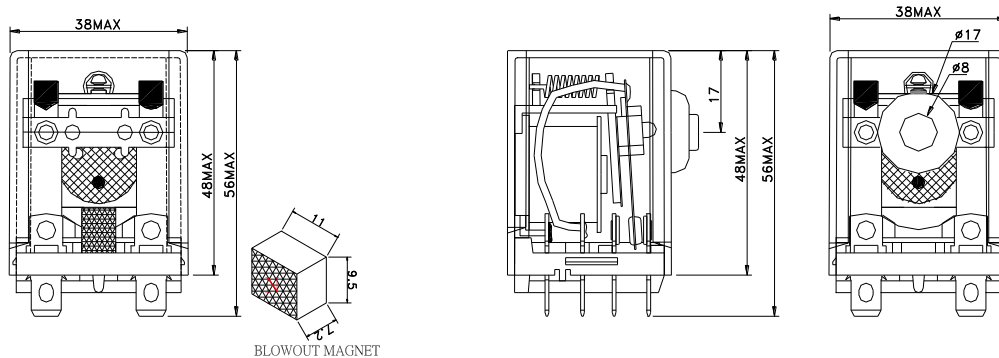
Top flange cover:Code C3

Din rail mount:Code C4



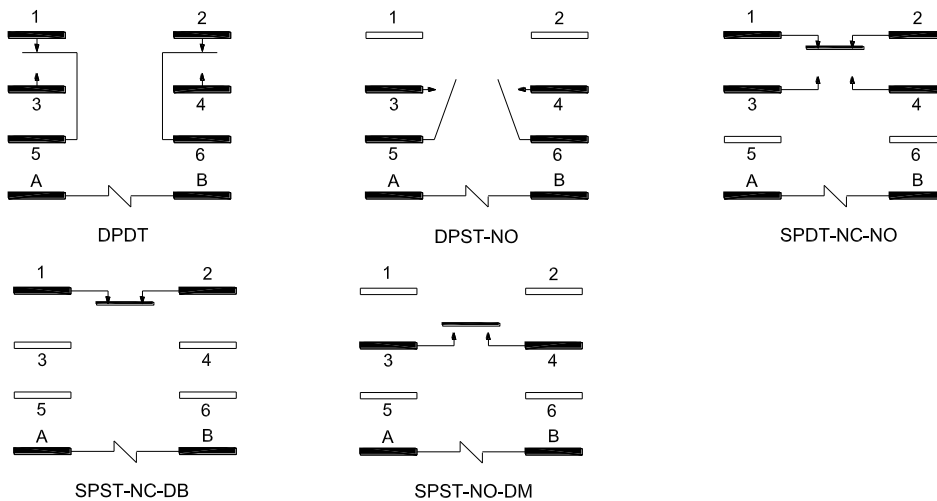
With blowout magnet: *BTA12B*

With pushbutton:Code M



BLOWOUT MAGNET

⇒ Wire diagrams (Bottom view)



⇒ **How to order**

