

Industrial USB Communication Converter

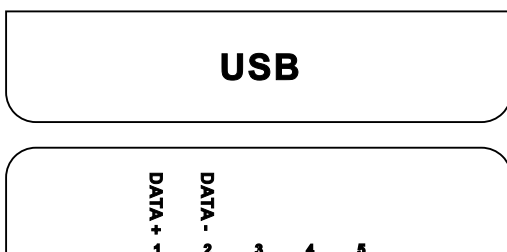


MDA-8001
USB to Isolated RS-485 Converter

System Specification

Communication	
USB	USB 1.1 and 2.0 standards
	Type B Connector
RS-485	Data+, Data-
	5-Pin Terminal Block
Baud Rate	300 ~ 115200 bps
Transfer Distance	Max. 1,200 m at 9.6 kbps Max. 400 m at 115.2 kbps
Max. Devices Supported	256
LED Indicator	
Power Indicator	1
Communication Indicator	1
Isolation	
Voltage	3000V DC
Power	
Input Range	+5 VDC from USB
Consumption	Approx. 0.4W
Environment	
Operating Temperature	-25 ~ +75 °C
Storage Temperature	-40 ~ +85 °C
Humidity	10 ~95% RH, Non-condensing

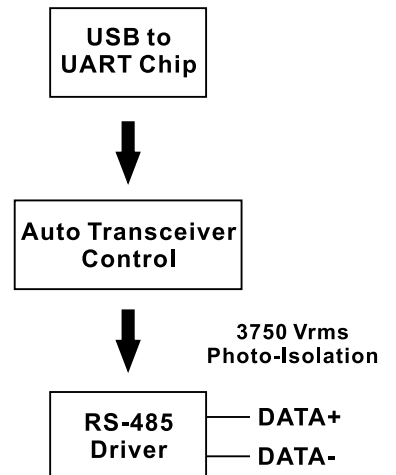
Pin Assignments



Feature

- No External Power Supply required
- Fully Compliant with the USB 1.1/2.0 (High Speed)
- 3000 VDC Isolation Protection on the RS-485 side
- ESD Protection for the RS-485 & USB Data Line
- Automatic RS-485 Direction Control
- Driver Supports Windows XP/Vista (32/64-bit)/7 (32/64-bit)/Linux/ Mac

Internal I/O Structure



Applications

