

微處理瓦特/功因/乏錶

MICROPROCESS W / VAR / PF METER



- MP - 12W** 1 ϕ 2 W Watt Meter
- MP - 33W** 3 ϕ 3 W Watt Meter
- MP - 34W** 3 ϕ 4 W Watt Meter
- MP - 12Q** 1 ϕ 2 W Var Meter
- MP - 33Q** 3 ϕ 3 W Var Meter
- MP - 34Q** 3 ϕ 4 W Var Meter
- MP - 12PF** 1 ϕ 2 W Power Factor Meter
- MP - 33PF** 3 ϕ 3 W Power Factor Meter
- MP - 34PF** 3 ϕ 4 W Power Factor Meter

Features

- Max. display 4 digits
- Auto. Range (Watt)
- CT or PT rate free setting
- True RMS V/A
- RS-485 interface (Option)
- DIN case 96 x 48mm

Features

- Display :** 4digits Red LED 0.56" (14.2mm) high
- Parameter setting :** Touch switches
- Accuracy :** $\pm 0.5\%$ FS. ± 2 digit ($23 \pm 5^\circ\text{C}$)
- Operating Temp. :** $0\sim 60^\circ\text{C}$ / Below 80%R.H.
- Storage Temp. :** $-10\sim 70^\circ\text{C}$ / Below 70% R.H.
- Power Supply :** AC 115 / $230\text{V} \pm 10\%$, 50/60Hz
Option : DC 12, 24, 48, $120\text{V} \pm 20\%$
- Power Consumption :** Approx. 4VA
- Weight :** Approx. 550g
- Dielectric Strength :** AC 2000V/1min (Input/Power)
- Insulation Resistance :** More than 100M Ω at 500VDC
- Dimensions :** 96(W) x 48(H) x 144(D)mm
- Panel Cut-Out :** 91.5(W) x 44(H)mm

Input

Model	Circuit	AC Input			Max. Reading
		Voltage	Current	Freq.	
MP-12W(Q, PF)	1 ϕ 2 W	120V	1A	50Hz	W / Var 999.9(W / Var)
MP-33W(Q, PF)	3 ϕ 3 W	240V	5A	60Hz	9.999(KW/Var)
		480V	10A		99.99(KW/Var)
MP-34W(Q, PF)	3 ϕ 4 W				Power Factor $-0.100 \sim +1.000$

Watt : 4 digits, auto. Range

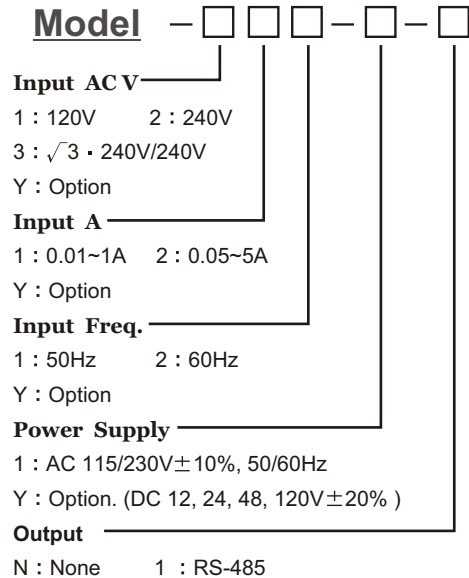
Burden : Voltage $\leq 0.2\text{VA}$

Current $\leq 0.2\text{VA}$

Max. over : Voltage \rightarrow AC 650V continuous

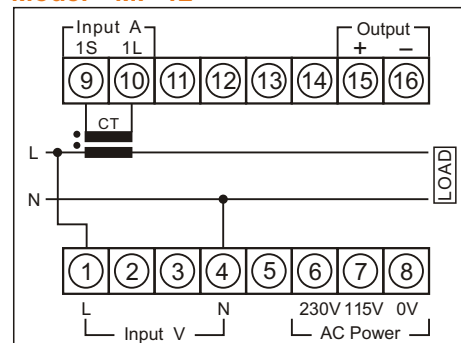
Current \rightarrow 3 x rated continuous

Order Code

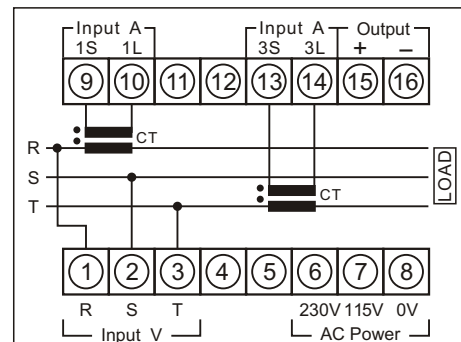


Connection Diagram

Model : MP-12



Model : MP-33



Model : MP-34

