



MP - 12 1 ϕ 2W Power Meter
 MPR - 12 1 ϕ 2W Power Meter (Relay output)

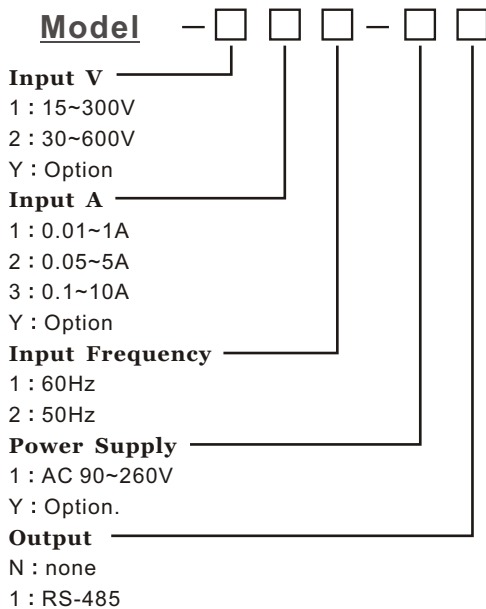
Features

- 4 unit V, A, KW, cos θ
- True RMS V/A
- Rate free setting
- Input / Output / Power is isolated
- RS-485 interface (Option)
- Relay output x 2, DI x 1 (MPR-12)

Specifications

Display : Red LED 0.4" high
Max. Display : 4 digits
Over range Indication : " o.L"
Conversion Rate : 1/sec.
Isolation : Input/Output/Power
Memory : EEPROM
Accuracy : $\pm 0.5\%$ FS. ± 2 digit (23 $\pm 5^\circ\text{C}$)
Operating Temp. : 0~60 $^\circ\text{C}$ / Below 80%R.H.
Storage Temp. : -10~70 $^\circ\text{C}$ / Below 70%R.H.
Power Supply : AC 90~260V
Power Consumption : Approx. 4VA
Dielectric Strength : AC 2000V/1min (Input/Power)
Insulation Resistance : More than 100M Ω at 500VDC
Dimensions : 96(W) x 48(H) x 112.5(D)mm
Panel Cut-Out : 91.4(W) x 44(H)mm

Order Code



Input

Min.Input : Voltage 5% of range
 Current 1% of range

Voltage : AC 15~300V
 AC 30~600V

Current : AC 0.01~1A, AC 0.05~5A, AC 0.1~10A

Burden : Voltage $\leq 0.1\text{VA}$
 Current $\leq 0.2\text{VA}$

Watt : Corresponding to V x A

Power Factor : 0.001 to 1.000

Frequency : 60Hz or 50Hz

RS-485 Interface (option)

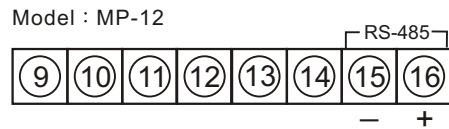
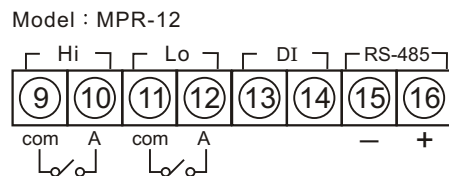
Address : 1 ~ FF
 Baudrate : 115.2K, 57.6K, 38.4K, 19.2K, 9.6K, 4.8K, 2.4K
 Frame : N.8.2, E.8.1, O.8.1, N.8.1
 Protocol : Modbus RTU Mode

Relay output (option)

Control System : Microcomputer
Setting Range : -0 to +9999
Relay Contact Capacity : AC 250V, 5A resistive load
 DC 30V, 5A resistive load

Connection Diagram

Upper



Lower

