

微處理流量/流速設定錶

MICROPROCESS FLOW METER

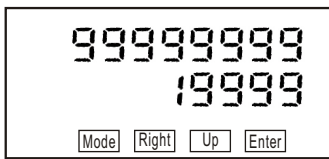


MF - 85 8 digits Flow Meter

Specifications

Display :	8 digits Red LED 0.3" high (Total) 4 1/2 digits Green LED 0.3" high (Rate)
Count input type :	Current sourcing (NPN) or current sinking (PNP)
Max. Count rates :	10KHz
Parameter setting :	Touch switches
Memory :	NV RAM
Accuracy :	±0.25% FS. ±2 digit (23±5°C)
Operating Temp. :	0~50°C/ Below 80%R.H.
Storage Temp. :	-10~60°C/ Below 70% R.H.
Power Supply :	AC 115 / 230V±10%, 50/60Hz Option : DC 12, 24, 48, 120V±20%
Power Consumption :	Approx. 4VA
Weight :	Approx. 550g
Dielectric Strength :	AC 2000V/1min (Input/Power)
Insulation Resistance :	More than 100MΩ at 500VDC
Dimensions :	96(W) x 48(H) x 117(D)mm
Panel Cut-Out :	91.5(W) x 44(H)mm

RS-485 Interface (option)



Address : 1 ~ FF
 Baudrate : 19200, 9600, 4800, 2400
 Frame : N.8.2, E.8.1, O.8.1, N.8.1
 Protocol : Modbus RTU Mode

Analog output (option)

Output : Voltage 0~10V, Ampere 4~20mA
 Accuracy : ±0.1% F.S

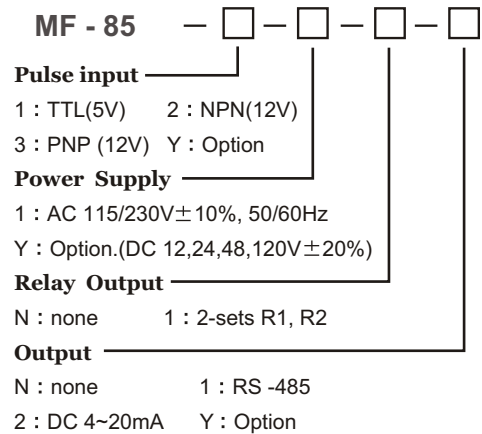
Relay output (option)

Control System : Microcomputer
 Setting Range : 0~19999(Rate) or 0~99999999(Total)
 Relay Contact Capacity : AC 250V, 1A resistive load
 DC 30V, 2A resistive load

Features

- Max. display 8 digits (Total)
Max. display 4 1/2 digits (Rate)
- Max Input 0~10KHz
- Rate free setting
- Programmable time base sec, min, hour
- RS-485 interface (Option)
- 2 x Relay output
- DIN case 96 x 48mm

Order Code



Connection Diagram

