

微處理三相電壓(電流)錶

MICROPROCESS 3PHASE V(A) METER



- DM4 - 33V 3 φ 3W Voltage Meter
- DM4 - 34V 3 φ 4W Voltage Meter
- DM4 - 33A (2CT) 3 φ 3W Current Meter
- DM4 - 34A (3CT) 3 φ 4W Current Meter

■ Features

- Max. / Min. Hold function
- True RMS Voltage or Current
- Rate free setting (CT : 19999, PT : 1999.9)
- Measurement Max. and Min. value
- RS-485 interface (Modbus) --- Option
- DIN case 96 x 48mm

■ Specifications

Display : Red LED 0.3" high

Max. Display : 4 digits (9999)

Over range Indication : " o.L "

Conversion Rate : 1/sec.(AC)

Decimal Point : Settable to any digit position by front sheet switch

Output : RS-485 Modbus (option)

Accuracy : ±0.25% FS. ±2 digit (23±5°C)

Operating Temp. : 0~60°C/ Below 80%R.H.

Storage Temp. : -10~70°C/ Below 70%R.H.

Power Supply : : AC 90~260V, 50/60Hz

Power Consumption : Approx. 5VA

Dielectric Strength : AC 1500V/1min (Input / Power)

Insulation Resistance : More than 100MΩ at 500VDC

Dimensions : 96(W) x 48(H) x 112.5(D)mm

Panel Cut-Out : 91.4(W) x 44(H)mm

■ Input

Voltage Range : 30~300VL-L , 50~500VL-L

Current Range : 0~1A, 0~5A

Over load : Voltage.....750V continuous
1.25 x rated continuous
Current.....3 x rated continuous
10 x rated for 10sec.

Burden : ≤ 0.2VA per Voltage circuit
≤ 0.2VA per Current circuit

Frequency : 45~65Hz

■ RS-485 Interface (option)

Address : 1 ~ FF (16 Hex)

Baudrate : 19200, 9600, 4800, 2400, 1200

Frame : N.8.2, E.8.1, O.8.1, N.8.1

Protocol : Modbus RTU Mode

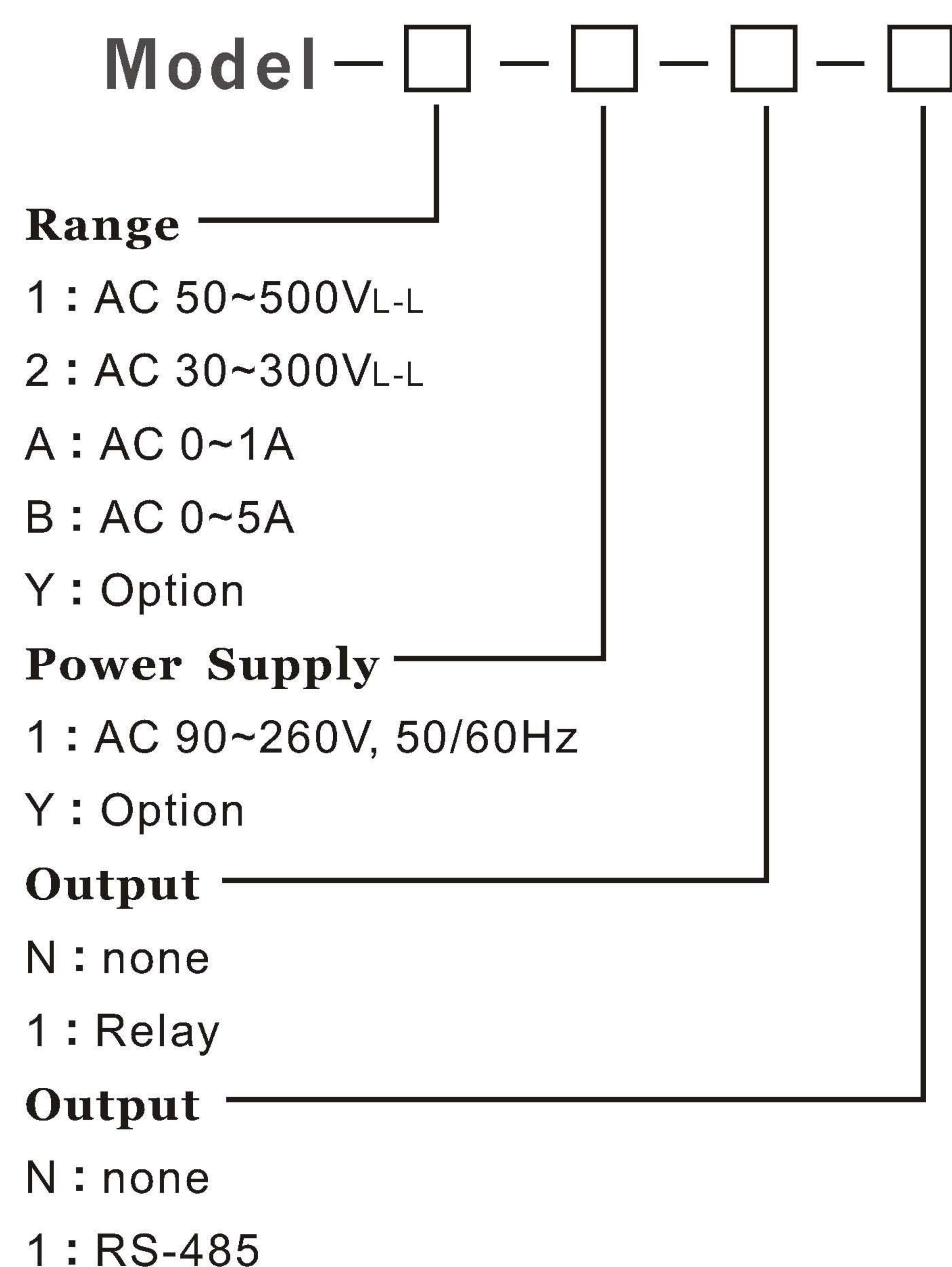
■ Relay Output

Relay Contact Capacity :

AC 240V, 2A resistive load

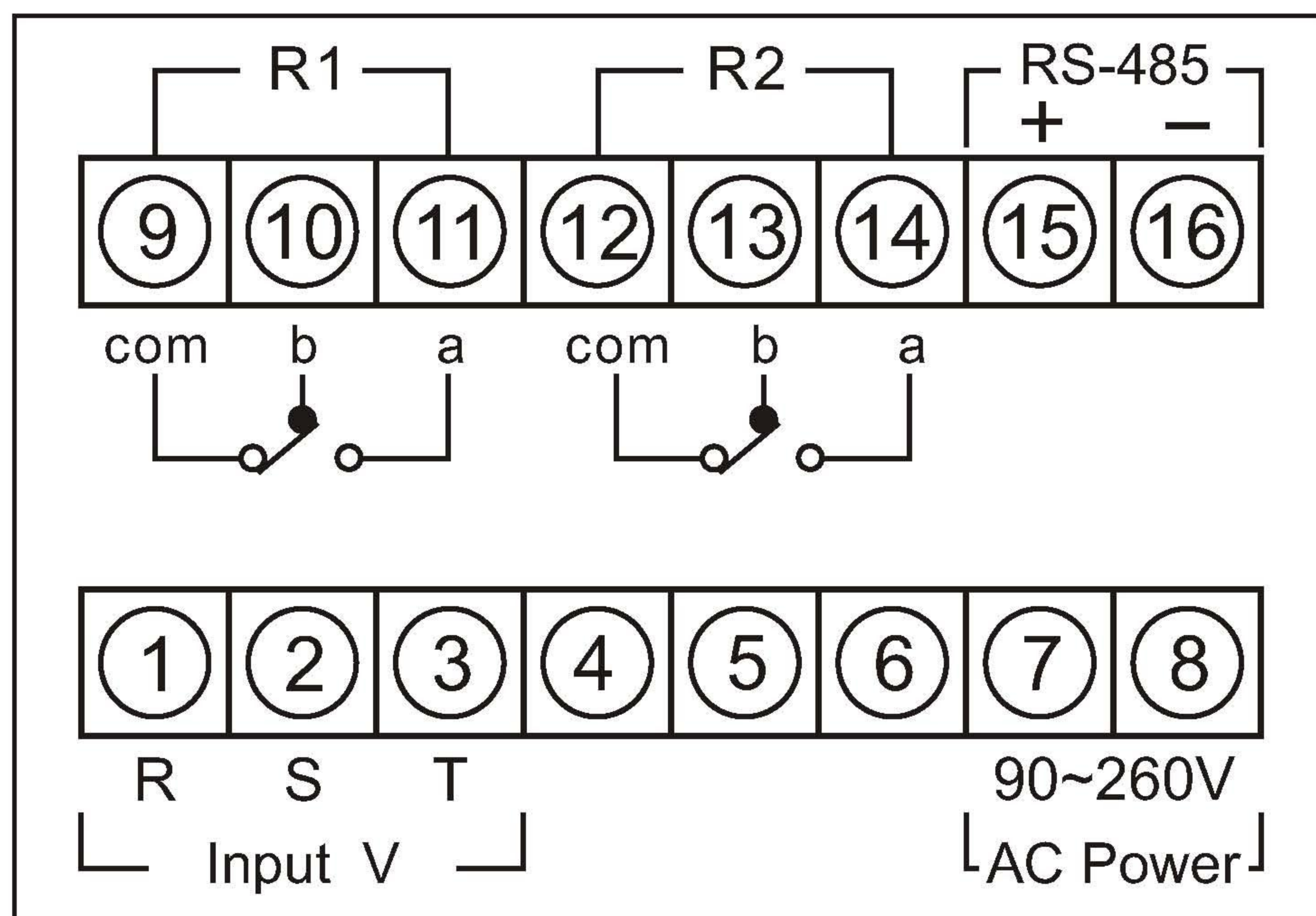
DC 30V, 5A resistive load

■ Order Code

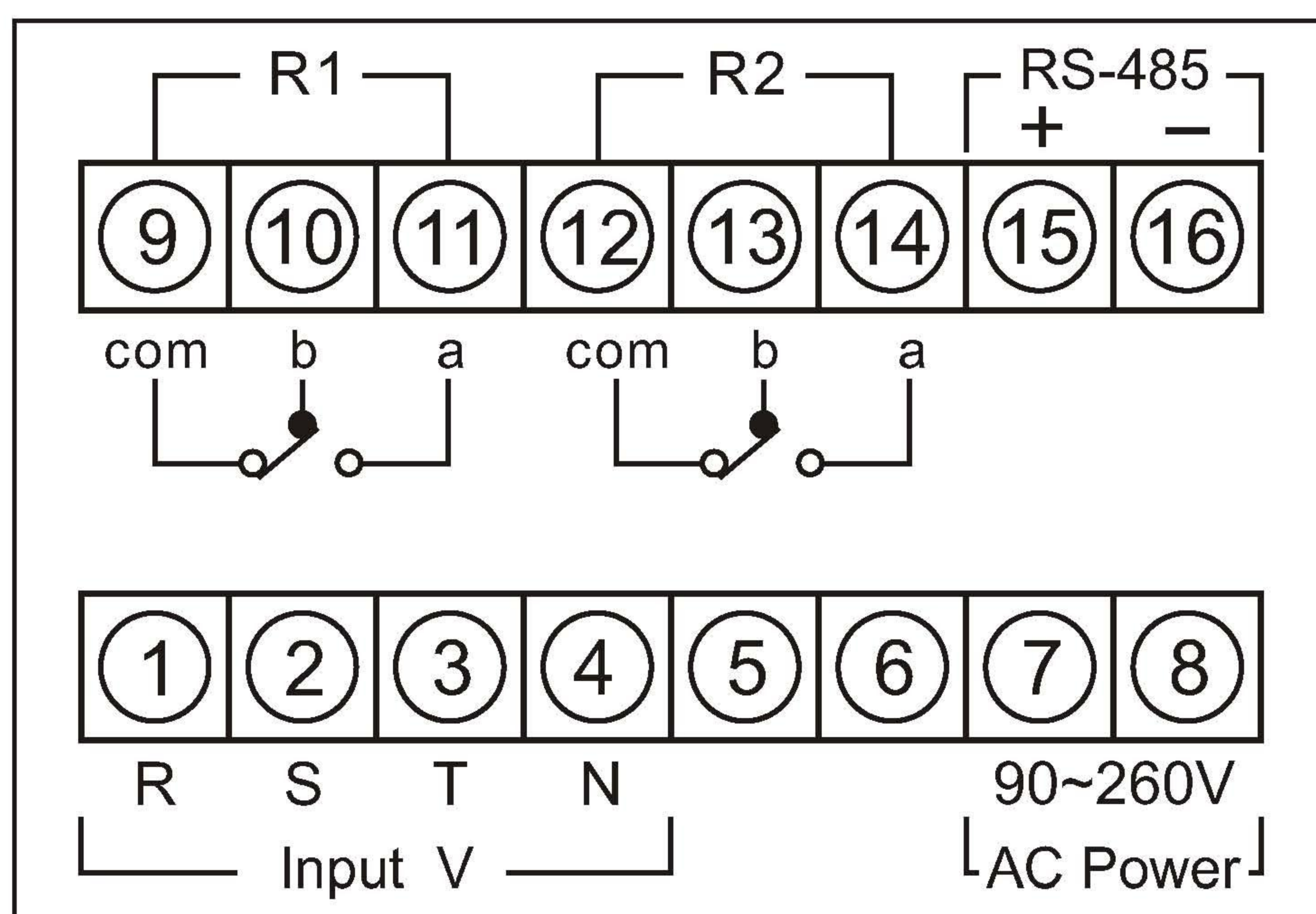


■ Connection Diagram

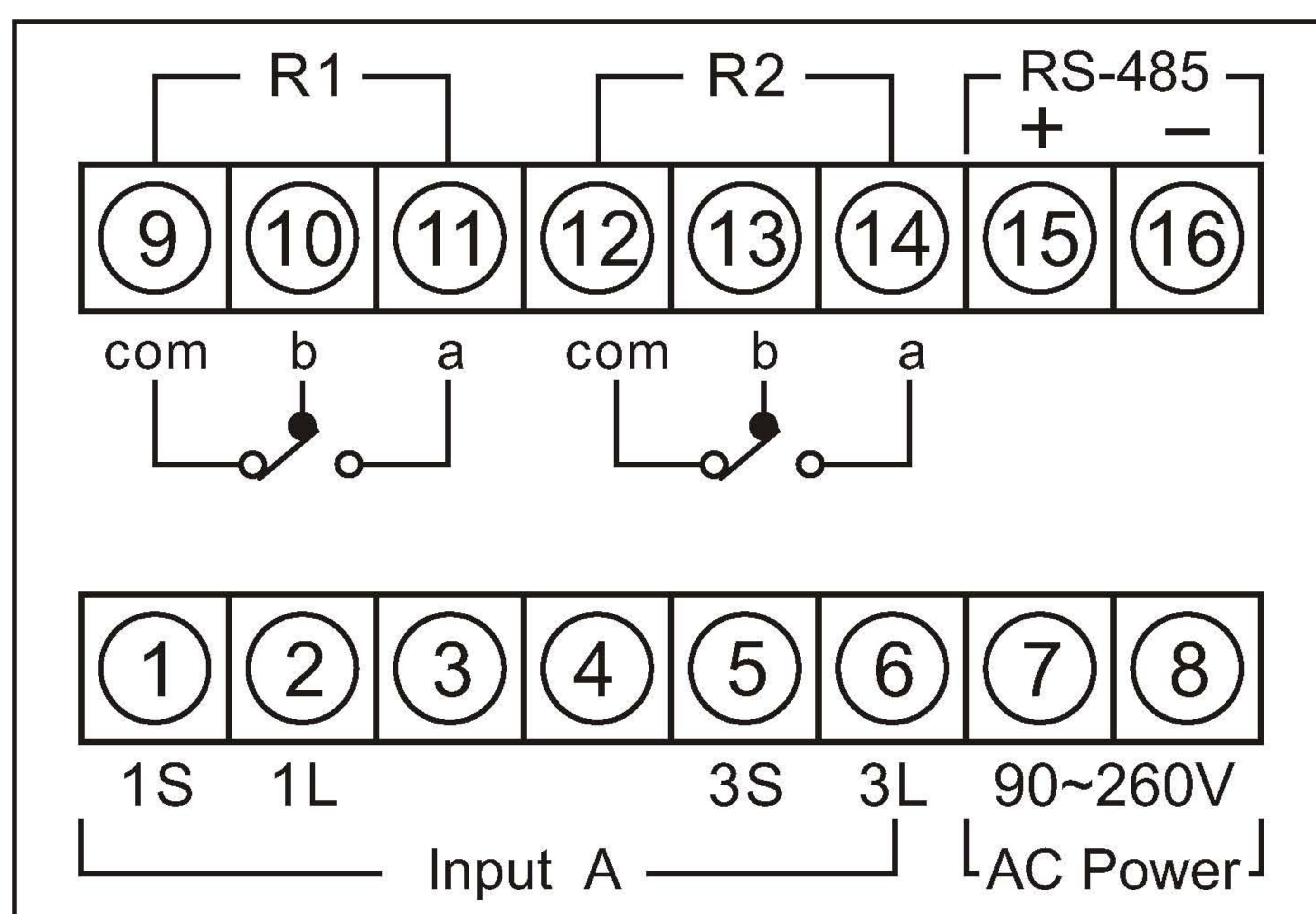
Model : DM4-33V



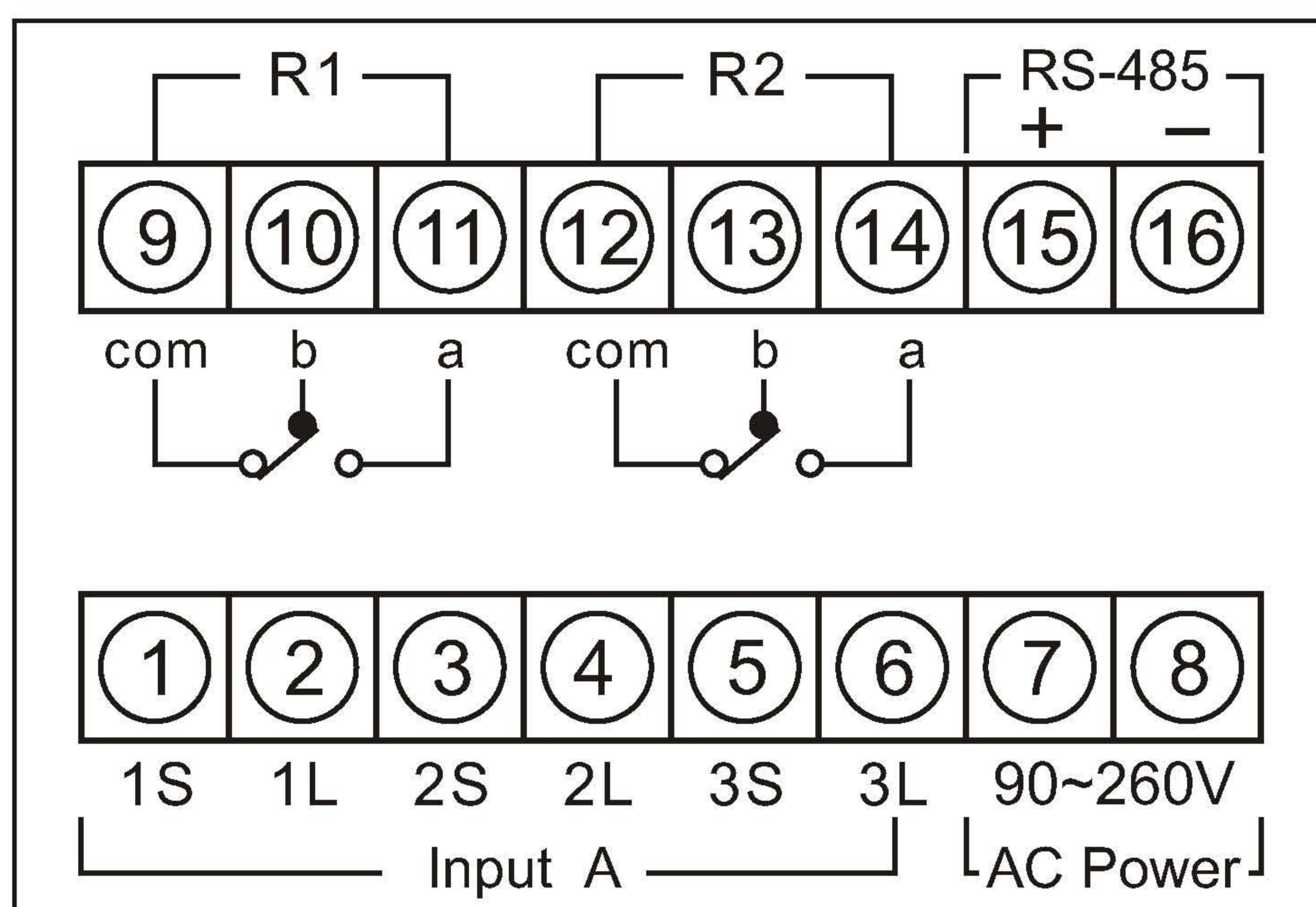
Model : DM4-34V



Model : DM4-32A



Model : DM4-33A



■ Dimensions

