

電壓 / 電流 轉換器 AC CURRENT, VOLTAGE TRANSDUCER



- BV-1** 1 φ voltage average sensing
- BV-3** 3 φ voltage average sensing
- BA-1** 1 φ current average sensing
- BA-3** 3 φ current average sensing

Specifications

AC Input :	Voltage -- 150V, 300V, 600V Current -- 1A, 5A, 10A
Input burden :	Voltage $\leq 0.1VA$, Current $\leq 0.2VA$
Input over load capacity :	750Vrms, continuous Current 2 x rated continuous 10 x rated 10sec/hour
Accuracy :	$\pm 0.2\%$ R.O.
Response time :	< 0.4sec.
Output ripple :	< 0.5% of RO.
Output Voltage :	0~10V Load resistance = Output voltage \div 10mA
Output Current :	0~20mA Load resistance = 10V \div Output current
Temp. Range :	-20°C to +70°C, operating 0°C to 50°C
Temp. Coefficient :	100ppm at 23°C $\pm 3^\circ C$
Humidity range :	Up to 95%RH
Isolation :	Input/Output/Power/Case
Surge test :	DIN-IEC 255-4, ANSI C37
Dielectric test :	DIN-IEC 688 2KVrms/1min
Housing material :	ABS Plastic (The case can be mounted on a 35mm rail which complies with DIN46277)
Mounting :	DIN rail or wall mounting
Power supply :	AC 115 or 230V $\pm 15\%$, 50/60Hz, 3VA DC 24V, 48V, 120V (Option)
Dimension :	55(L) x 80(W) x 120(H)mm --- - signal phase 110(L) x 80(W) x 120(H)mm --- - 3 phase

Features

- Accuracy $\pm 0.2\%$ RO.
- Input / Output / Power is isolated
- The case can be mounted on a 35mm rail which complies with DIN 46277

Order Code

BV - 1, BV - 3 - -
BA - 1, BA - 3

Input

Voltage	Current
1 : 0~150V	A : 0~1A
2 : 0~300V	B : 0~5A
3 : 0~600V	C : 0~10A
Y : Option	

Output

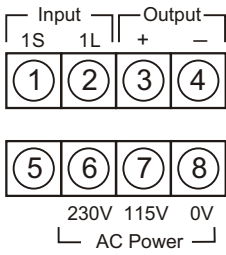
1 : 0~10V	A : 4~20mA
2 : 0~5V	B : 0~20mA
3 : 1~5V	C : 0~10mA
4 : 0~1V	D : 0~1mA
Y : Option	

Power Supply

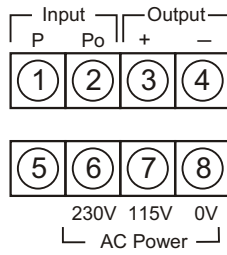
1 : AC 115/230V $\pm 15\%$ (BV-1, BA-1)
2 : AC 115V $\pm 15\%$
3 : AC 230V $\pm 15\%$
Y : Option. (DC 12, 24, 48, 120V $\pm 20\%$)

Connection Diagram

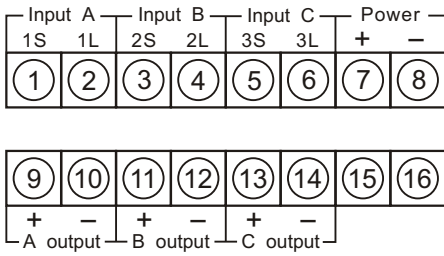
Model : BA-1



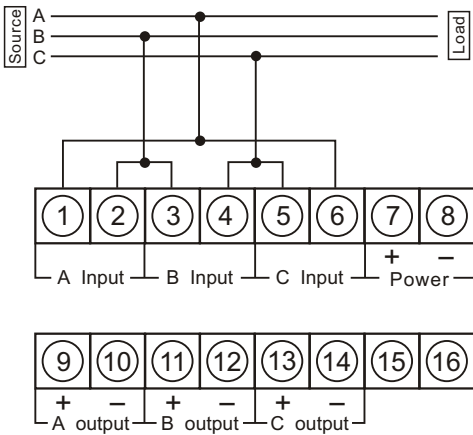
Model : BV-1



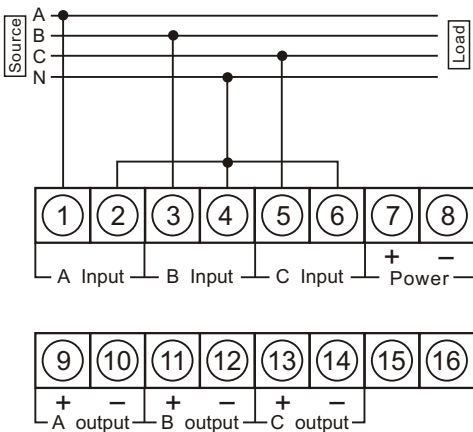
Model : BA-3



Model : BV-3 (3 ϕ 3W)



Model : BV-3 (3 ϕ 4W)



Dimensions

