

頻率轉換器 FREQUENCY TRANSDUCER



BF-1 Frequency Transducer

Specifications

- Max. Input :** AC 600V
- Input burden :** Voltage $\leq 0.1VA$
- Input over load :** 750Vrms, continuous
- Response time :** < 0.4sec.
- Accuracy :** $\pm 0.1\%RO$ ($\pm 0.05\%RO$ option)
- Temp. Range :** $-20^{\circ}C$ to $+70^{\circ}C$, operating $0^{\circ}C$ to $50^{\circ}C$
- Temp. Coefficient :** 100ppm at $23^{\circ}C \pm 3^{\circ}C$
- Humidity range :** Up to 95%RH
- Isolation :** Input/Output/Power/Case
- Dielectric test :** DIN-IEC688 2KVrms/1min
- Housing material :** ABS Plastic (flame retardancy self-extinguishing to UL subject 94 class V-O)
- Mounting :** DIN rail or wall mounting
- Power supply :** AC 115/230V $\pm 15\%$, 50/60Hz, 3VA
DC 24V, 48V, 120V (Option)
- Dimensions :** 80(W) \times 110(H) \times 120(D)mm

Input

AC signal	Range
AC 30~600V	45~55Hz
	55~65Hz
	45~65Hz

Output

- Output variables :** DC signal
- Ripple :** < 0.5% p-p max.
- Response time :** < 0.4sec. Or less
- Zero adjustment :** $\pm 5\%$ minimum
- Span adjustment :** $\pm 10\%$ minimum
- DC voltage :** 0~12V (max.)
- Load resistance = output voltage \div 10mA
- DC current :** 0~20mA (max.)
- Load resistance = 10V \div output current

Order Code

BF-1 —

Input

- 1 : 45~55Hz
- 2 : 55~65Hz
- 3 : 45~65Hz

Output

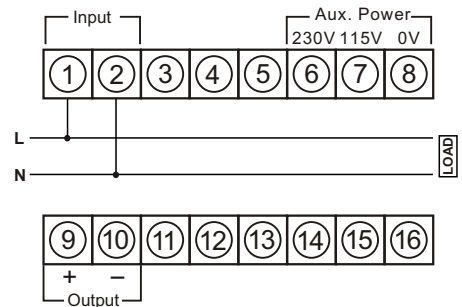
- 1 : 0~10V A : 4~20mA
- 2 : 0~5V B : 0~20mA
- 3 : 1~5V C : 0~10mA
- 4 : 0~1V D : 0~1mA

Y : Option

Power Supply

- 1 : AC 115/230V $\pm 15\%$
- Y : Option. (DC 12, 24, 48, 120V $\pm 20\%$)

Connection Diagram



Dimensions

