

直流隔離傳送器

SIGNAL ISOLATED TRANSMITTER

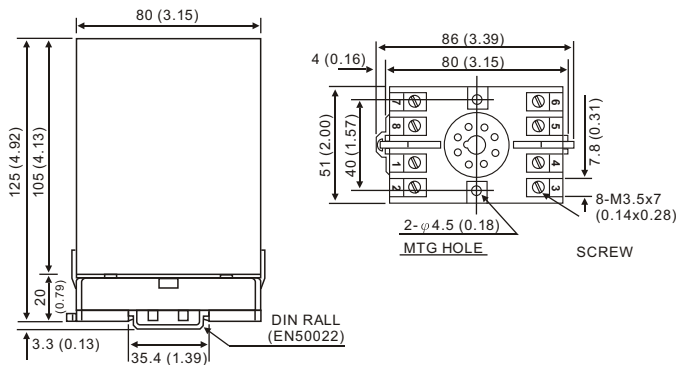


PV - 1 DC Isolated Transmitter
 PV - 1H DC High speed Isolated

Specifications

- Accuracy** : $\pm 0.1\%$ ($23 \pm 5^\circ\text{C}$)
- Operating Temp.** : $0 \sim 60^\circ\text{C}$ / Below 80%R.H.
- Storage Temp.** : $-10 \sim 70^\circ\text{C}$ / Below 70% R.H.
- Power Supply** : AC $115\text{V} \pm 10\%$, 50/60Hz
 AC $230\text{V} \pm 10\%$, 50/60Hz
 Option : DC 12, 24, 48, 120V $\pm 20\%$
- Power Consumption** : Approx. 5VA
- Dielectric Strength** : AC 1800V/1min (Input/Power)
- Span Adjustment** : $\pm 10\%$
- Zero Adjustment** : $\pm 5\%$
- Response time** : PV - 1 0.4 sec. (0~90%)
 PV - 1H 0.4msec. (0~90%)
- Mounting** : DIN rail
- Isolation** : Input / Output / Power / Case
- Input signal** : DC voltage (0~600V)
 DC current (for current input can be obtained from shunt)
- Output voltage** : 0~10V
 Load resistance=output voltage \div 10mA
- Output current** : 0~20mA
 Load resistance=10V \div output current
- Output ripple** : $\leq 0.5\%$ RO. (peak - peak)

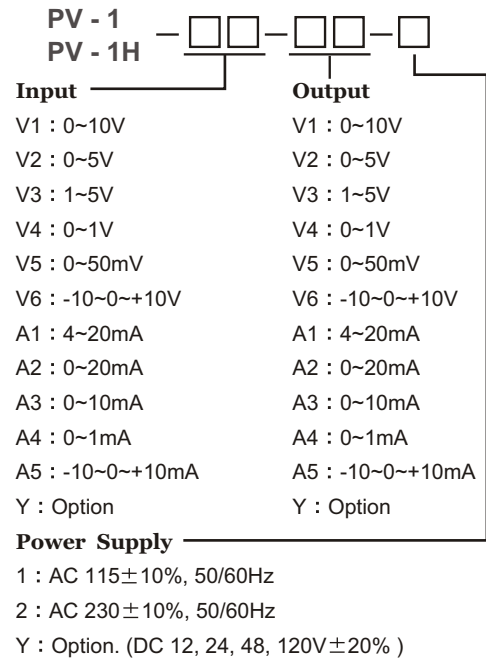
Dimensions



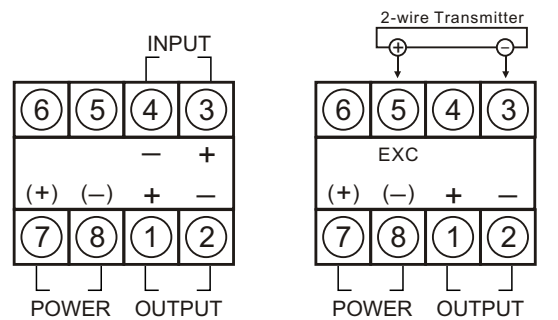
Features

- Accuracy $\pm 0.1\%$
- Wide input and output range selection
- Plug-in type

Order Code



Connection Diagram



※Two-wire transmitter