



- MP - 12WH** 1 ϕ 2 W Watt-Hour Meter
- MP - 13WH** 1 ϕ 3 W Watt-Hour Meter
- MP - 33WH** 3 ϕ 3 W Watt-Hour Meter
- MP - 34WH** 3 ϕ 4 W Watt-Hour Meter
- MP - 12QH** 1 ϕ 2 W Var-Hour Meter
- MP - 13QH** 1 ϕ 3 W Var-Hour Meter
- MP - 33QH** 3 ϕ 3 W Var-Hour Meter
- MP - 34QH** 3 ϕ 4 W Var-Hour Meter

■ Features

- Max. display 8 digits
- CT x PT rate free setting
- RS-485 interface (Option)
- Pulse output (Option)
- DIN case 96 x 48mm



- MP - 12BH** 1 ϕ 2 W Dual KWH/KW Meter
- MP - 13BH** 1 ϕ 3 W Dual KWH/KW Meter
- MP - 33BH** 3 ϕ 3 W Dual KWH/KW Meter
- MP - 34BH** 3 ϕ 4 W Dual KWH/KW Meter

■ Features

- Max. display 8 digits (KWH)
Max. display 5 digits can change
Watt-Hour or Watt
- CT x PT rate free setting
- RS-485 interface (Option)
- Pulse output (Option)
- DIN case 96 x 48mm



- MP - 12DH** 1 ϕ 2 W WH/DW Meter
- MP - 13DH** 1 ϕ 3 W WH/DW Meter
- MP - 33DH** 3 ϕ 3 W WH/DW Meter
- MP - 34DH** 3 ϕ 4 W WH/DW Meter

■ Features

- Max. display 8 digits (Total)
Max. display 5 digits Demand W (15min)
- Rate free setting
- RS-485 interface (Option)
- Pulse output (Option)
- DIN case 96 x 48mm



- MP - 12TH** 1 ϕ 2 W Power Meter
- MP - 13TH** 1 ϕ 3 W Power Meter
- MP - 33TH** 3 ϕ 3 W Power Meter
- MP - 34TH** 3 ϕ 4 W Power Meter

■ Features

- Max. display 8 digits (KWH)
Max. display 4 digits can change
Voltage. Current or Watt
- PT x CT rate free setting
- RS-485 interface (Option)
- Pulse output (Option)
- DIN case 96 x 48mm

Specifications

Display :	8 digits Red LED 0.3" high (KWH) 4 digits Green LED 0.3" high
Parameter setting :	Touch switches
Memory :	NV RAM
Accuracy :	±0.25% FS. ±2 digits (V, A) ±0.5% FS. ±2 digits (KW, KWH)
Operating Temp. :	0~50°C/ Below 80%R.H.
Storage Temp. :	-10~60°C/ Below 70% R.H.
Power Supply :	AC 115 / 230V ±10%, 50/60Hz Option : DC 12, 24, 48, 120V ±20%
Power Consumption :	Approx. 4VA
Weight :	Approx.550g
Dielectric Strength :	AC 2000V/1min (Input/Power)
Insulation Resistance :	More than 100MΩ at 500VDC
Dimensions :	96(W) × 48(H) × 144(D)mm
Panel Cut-Out :	91.5(W) × 44(H)mm

Input

Circuit	AC Input			Max. Reading (KWH/VAR)
1 Φ 2 W	Voltage	Current	Freq.	99999.999
1 Φ 3 W				120V
3 Φ 3 W	240V	5A	60Hz	9999999.9
3 Φ 4 W	480V			99999999

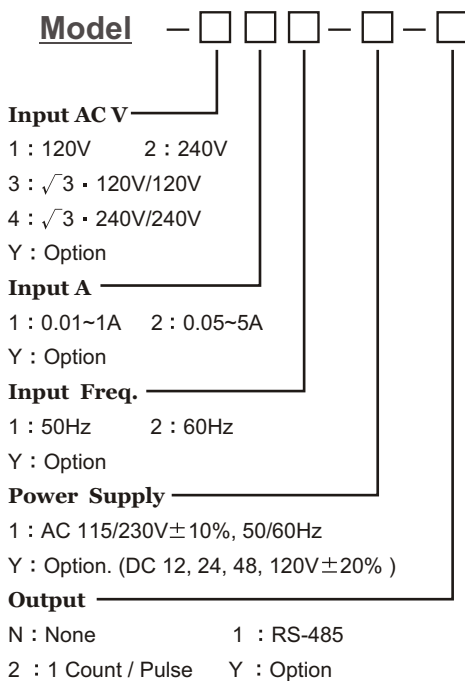
Burden : Voltage ≤ 0.2VA

Current ≤ 0.2VA

Max. Over : Voltage → AC 650V continuous

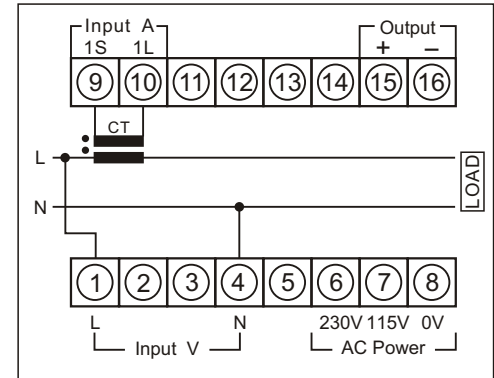
Current → 3 x rated continuous

Order Code

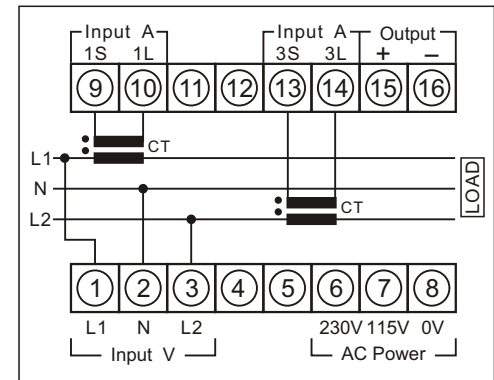


Connection Diagram

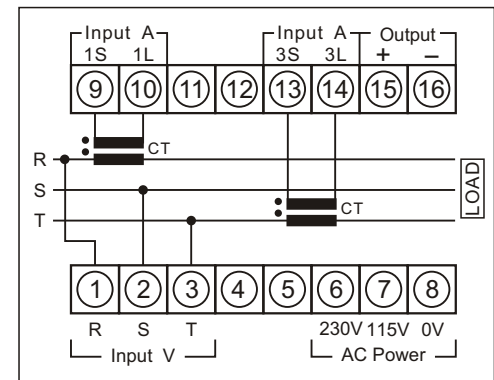
Model : MP-12



Model : MP-13



Model : MP-33



Model : MP-34

