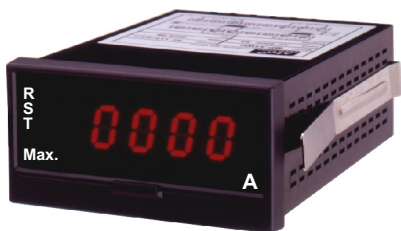


微處理3相電壓/電流錶

MICROPROCESS 3PHASE V/A METER



- DM - 33V** 3 φ 3W Voltage Meter
- DM - 34V** 3 φ 4W Voltage Meter
- DM - 33A** 3 φ Current Meter

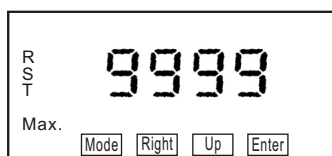
Specifications

- Display :** Red LED 0.56" (14.2mm) high
- Max. Display :** 4 Digits (9999)
- Over range Indication :** " o.L "
- Conversion Rate :** 1/sec.(AC)
- Decimal Point :** Settable to any digit position by front sheet switch
- Output :** RS-485 or RS-232 (Modbus) — Option
- Accuracy :** ±0.25% FS. ±1 digit (23±5°C)
- Operating Temp. :** 0~60°C/ Below 80%R.H.
- Storage Temp. :** -10~70°C/ Below 70% R.H.
- Power Supply :** AC 115/230V±10%, 50/60Hz
Option : DC 12, 24, 48, 120V±20%
- Power Consumption :** Approx. 5VA
- Dielectric Strength :** AC 1500V/1min (Input/Power)
- Insulation Resistance :** More than 100MΩ at 500VDC
- Dimensions :** 96(W) x 48(H) x 144(D)mm
- Panel Cut-Out :** 91.5(W) x 44(H)mm

Measurement Item

Code	Range	Input Impedance	Input Protection	Display Adjustable
A1	0~5.000A	0.05Ω	10A	Offset : ±9999
A2	0~10.00A	0.01Ω	15A	
V1	0~150.0V	1MΩ	600V	Fullscale : ±9999
V2	0~300.0V		600V	
V3	0~600.0V		600V	

RS-485 Interface (option)

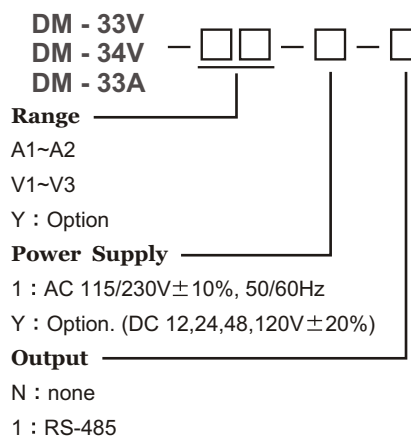


Address : 1 ~ FF
 Baudrate : 19200,9600,4800,2400,1200
 Frame : N.8.2, E.8.1, O.8.1, N.8.1
 Protocol : Modbus RTU Mode

Features

- Can change R. S. T Phase Voltage or Current by front sheet switch or 3~5 seconds auto. Cycle
- True RMS V/A
- Max. function
- Rate free setting
- RS-485 interface (Modbus)-----Option
- DIN case 96 x 48mm

Order Code



Connection Diagram

