

# 三相電壓/電流錶 3 PHASE VOLTAGE/CURRENT METER



**CP - 3V** 3  $\phi$  Voltage Meter

**CP - 3A** 3  $\phi$  Current Meter

## Order Code

**CP-3V, CP-3A** —

**Input** —

1 : AC 0~600V

A : AC 0~5A

Y : Option

**Power Supply** —

1 : AC 90~260V, 50/60Hz

2 : DC 24V

3 : DC 120V

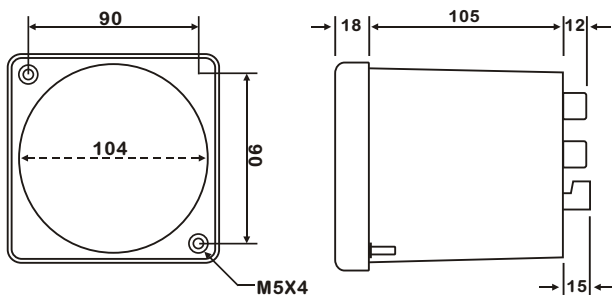
## Features

- TRMS Voltage or Current
- Fullscale rate free setting
- Case 110 x 110mm

## Specifications

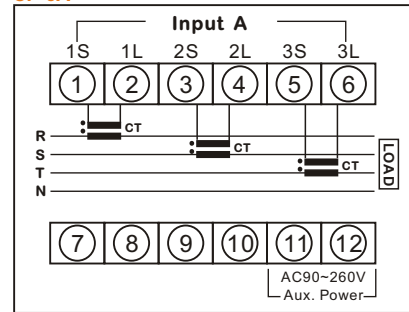
<b>Display :</b>	Red LED 0.4" high
<b>Max. Display :</b>	4 Digits ( 9999 )
<b>Over range Indication :</b>	" o.L "
<b>Conversion Rate :</b>	1/sec.
<b>Decimal Point :</b>	Settable to any digit position by front sheet switch
<b>Input :</b>	Voltage 0~600V, Current 0~5A
<b>Input Frequency :</b>	45~65Hz
<b>Output :</b>	RS-485 or RS-232 (Modbus) — Option
<b>Accuracy :</b>	$\pm 0.25\%$ FS. $\pm 1$ digit ( $23 \pm 5^\circ\text{C}$ )
<b>Operating Temp. :</b>	0~60°C/ Below 80%R.H.
<b>Storage Temp. :</b>	-10~70°C/ Below 70% R.H.
<b>Power Supply :</b>	AC 90~260V, 50/60Hz
Option :	DC 24, 48, 120V $\pm 20\%$
<b>Power Consumption :</b>	Approx. 6VA
<b>Dielectric Strength :</b>	AC 1500V/1min ( Input/Power )
<b>Insulation Resistance :</b>	More than 100M $\Omega$ at 500VDC
<b>Dimensions :</b>	110(W) $\times$ 110(H) $\times$ 140(D)mm

## Dimensions (mm)

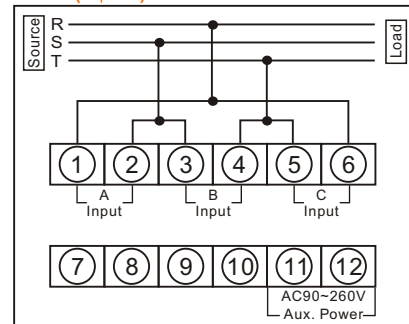


## Connection Diagram

**CP-3A**



**CP-3V (3  $\phi$  3W)**



**CP-3V (3  $\phi$  4W)**

