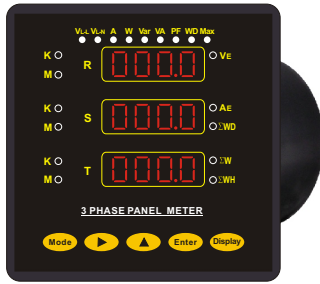


多功能電力錶

MICROPROCESS POWER METER



Features

- Max. display 8 digits (KWH)
Max. display 4 digits can change
Voltage, Current or Watt
- PT x CT rate free setting
- Current Max.30A (1 φ 2W, 1 φ 3W, 3 φ 3W)
- RS-485 interface (Option)
- Pulse output (Option)
- Output : DO x 2 , DI x 2 (Option)
- Case 110 x 110mm

Specifications

- Display :** 8 digits Red LED 0.4" high (KWH)
4 digits Green LED 0.4" high (V, A, KW)
- Parameter setting :** Touch switches
- Memory :** NV RAM
- Accuracy :** ±0.25% FS. ±2 digits (V, A)
±0.5% FS. ±2 digits (KW, KWH)
- Operating Temp. :** 0~50°C/ Below 80%R.H.
- Storage Temp. :** -10~60°C/ Below 70% R.H.
- Power Supply :** AC 90~260V, 50/60Hz
Option : DC 24, 48, 120V ±20%
- Power Consumption :** Approx. 5VA
- Weight :** Approx.550g
- Dielectric Strength :** AC 2000V/1min (Input/Power)
- Insulation Resistance :** More than 100MΩ at 500VDC
- Dimensions :** 110(W) × 110(H) × 140(D)mm

Input

Circuit	AC Input			Max. Reading (KWH)
	Voltage	Current	Freq.	
1 φ 2 W	120V	5A	50Hz	99999.999
1 φ 3 W			60Hz	999999.99
3 φ 3 W	480V	30A	60Hz	9999999.9
3 φ 4 W			5A	99999999

- Burden :** Voltage ≤ 0.1VA
Current ≤ 0.2VA
- Max. over :** Voltage →AC 650V continuous
Current →3 × rated continuous
- Frequency :** 45~65Hz

Power Meter CP800 series

Measurement	Items	CP800	CP810	CP820	CP830
V _{L-N}	V1, V2, V3, V _E	●	●	●	●
V _{L-L}	V12, V23, V13, V _E	●	●	●	●
A	A1, A2, A3, A _E	●	●	●	●
W	W1, W2, W3, ΣW		●	●	●
WH	ΣWH			●	●
Demand W	DW, Max.DW				●

Output

Pulse output (option)

Output : Open collector (Standard) or Reed Relay
1 Count / 1Pulse

RS-485 Interface (option)

Address : 1 ~ FF
Baudrate : 19200,9600,4800,2400
Frame : N.8.2, E.8.1, O.8.1, N.8.1
Protocol : Modbus RTU Mode

DO output (option)

Output : 2 x Relay
Relay Contact Capacity : AC 250V, 1A resistive load
DC 30V, 2A resistive load

DI output (option)

Output : 2 x point

Order Code

CP-800, CP-810

CP-820, CP-830

Connection

- 12 : 1 phase 2 wire
13 : 1 phase 3 wire
33 : 3 phase 3 wire
34 : 3 phase 4 wire

Input

- 1 : AC 120V, 5A A : AC 120V, 30A
2 : AC 240V, 5A B : AC 240V, 30A
3 : AC 480V, 5A C : AC 480V, 30A
Y : Option

Input Freq.

- 1 : 50Hz
2 : 60Hz
Y : Option

Power Supply

- 1 : AC 90~260V, 50/60Hz
2 : DC 24V
3 : DC 120V

Interface

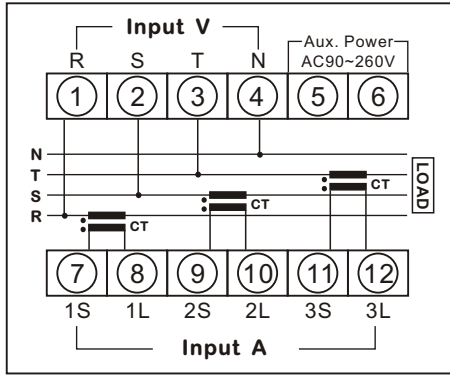
- 1 : RS-485
2 : RS-232
3 : Pulse (1Pulse/KWH)
N : None

Output

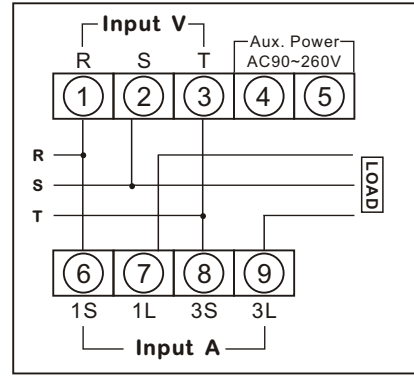
- 1 : DO x 2 + DI x 2
N : None

Connection Diagram

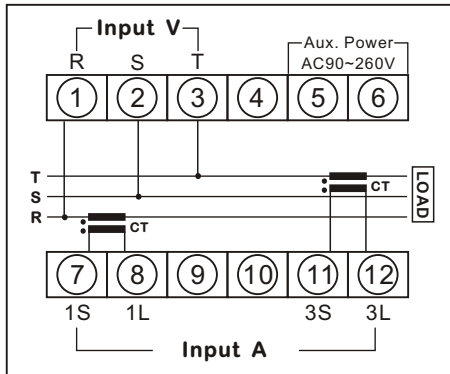
3 ϕ 4W



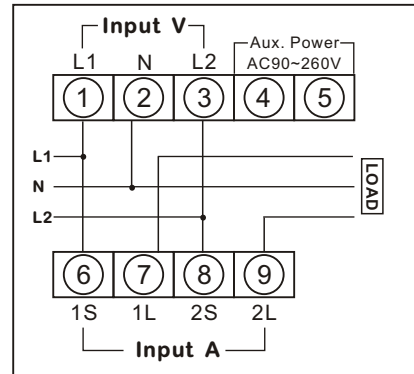
3 ϕ 3W (30A)



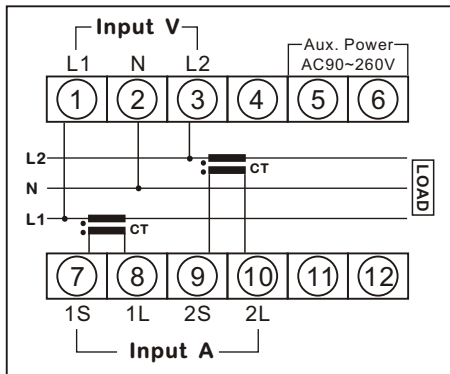
3 ϕ 3W



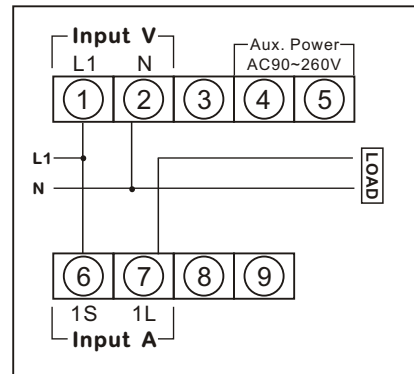
1 ϕ 3W (30A)



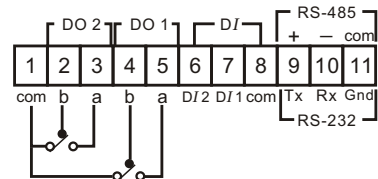
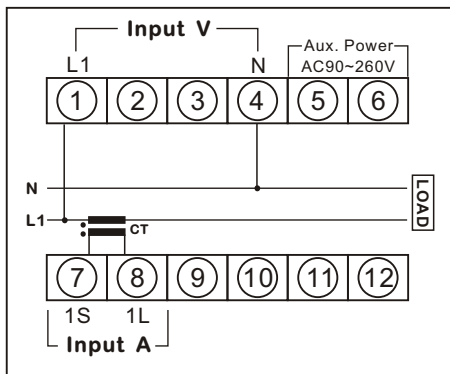
1 ϕ 3W



1 ϕ 2W (30A)



1 ϕ 2W



Dimensions (mm)

