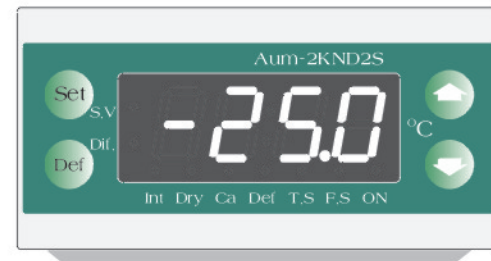


Memo. :

Temperature Controller

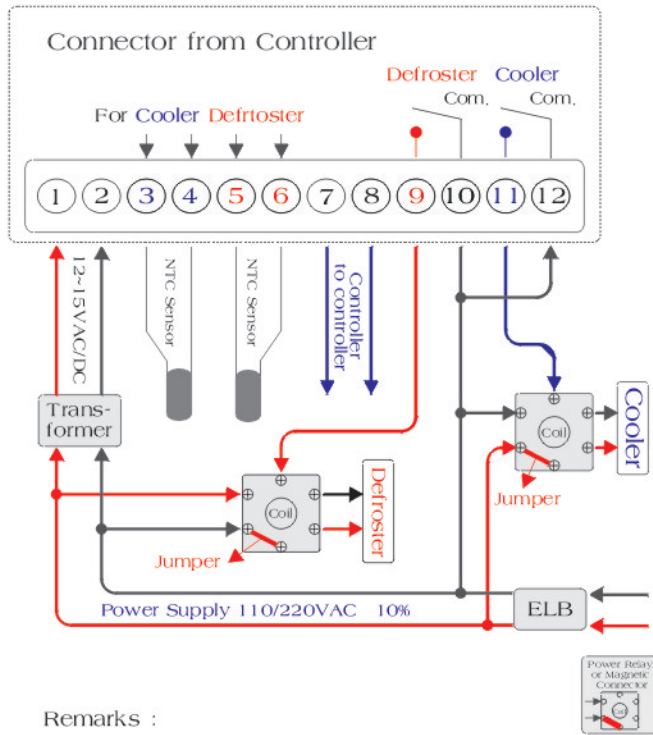
Model : Aum-2KND2Si



(For Cooling only)

General Purpose of "Aum-2KND2Si"

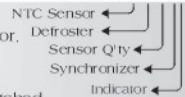
Wiring diagram for "Cooling and Defrosting" mode)



Remarks :

- Caution in use**
1. Avoid an excessive temperature, humid and shock.
 2. Keep the instrument away from the high voltage of a generator, or a motor.
 3. Let the end part of a sensor stay toward the top in order to prevent the droplets of water gathering around the sensor.
 4. In case of resumption of the electric power, it is recommended to be switched on after 5 seconds to avoid an electrical fault.

Mod. : Aum-2KND2Si



Maxthermo-Gitta Corp.

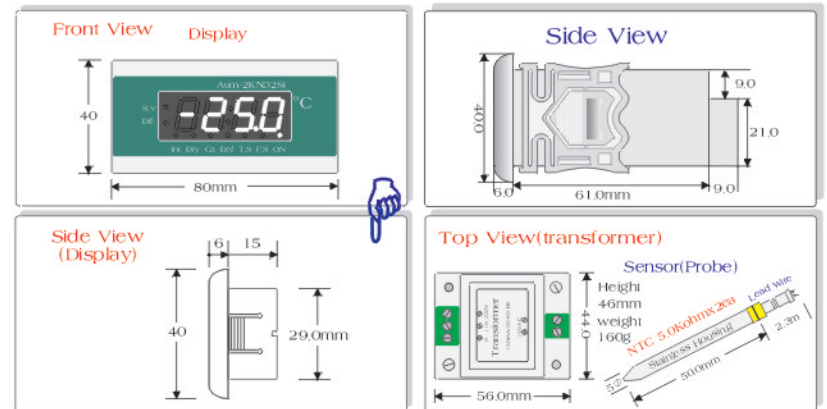
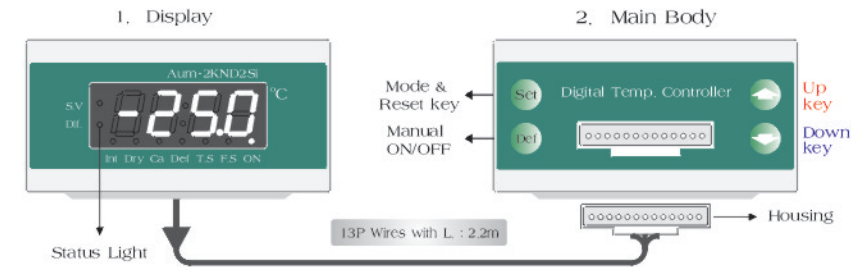
"Digital Temperature Controller"

Mod. : Aum-2KND2Si

----- Operating Manual -----



1. The distinguishable character of this model particularly suits the "Open Show Case" whose several freezers are usually operated by the huge compressor. The unit of this model in which the micro-processor has been installed perfectly performs all the basic functions of refrigeration, and the defrosting function under the regulation of the temperature. When the compressor is turned on, all the linked freezers based on the parallel connection perform the functions individually. But the initiations and the completions of the defrosting function begin at the same time. Especially it is reliable performance is based on a system of the feed back, which can compare the selected set values with the resulted value of its system in order to detect, correct and show the figure up to one decimal place. Hence, the range that can be covered is from -40.0 to 50.0°C .
2. There are functions such as S.V.(The value of selection), Dif.(Differential), Int.(The interval of a defrosting cycle), Dry(The draining time), Def.(The defrosting completion by temperature), T.S (The control of time for the defrosting completion), F.S.(The lamp of sensor fault) and "ON" (The lamp of performance). Every function has a lamp that helps the work of settings conveniently.
3. It is composed of a main body, two sensors and a transformer. The power supply is 12-15VAC/DC. The sensor doesn't require any certain direction. As soon as the power supply and the sensor is switched on, the temperature will be displayed on the window.



Drilling Template : B:70.0xH:29.0mm+(0.5mm)

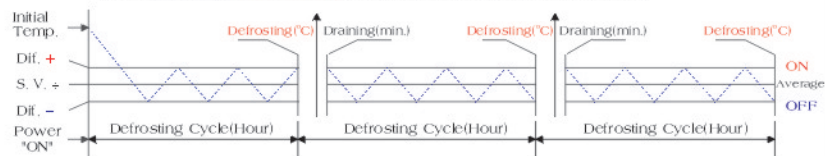
Maxthermo-Gitta Corp.

Method of Program Loading

Mod. : Aum-2KND2SI

- Selection Value :** Check the S.V. lamp
- Differential :** Check the Dif. lamp
- Interval(Hour) :** Check the Int. lamp
- Dry(Drain) :** Check the Dry lamp
- Calibration :** Check the Ca. lamp
- Defrost(By temperature) :** Check the Def. lamp
- Stop by time(minite) :** Check the T.S. lamp
- Fault of Sensor :** Check the I/O(in/out) lamp
- Check the Relay(Comp.) ON/OFF**

The cooling & De-frosting and draining cycle in the process



Reference : 1. When the power has been switched off in the process, whatever modes may have been performing, the defrosting cycle always starts to work from the beginning.

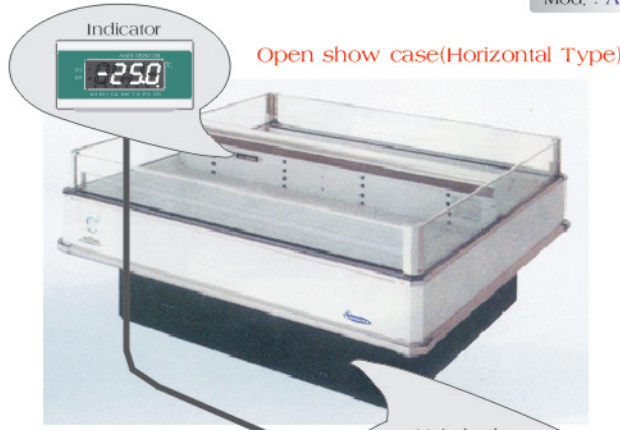
- The Aum-2KND2S require the power supply of 12-15VAC/DC. As soon as the sensor for temperature and the power supply is switched on, The present temperature from the sensor will be shown in the window.
- Whenever the 'Set' key is pressed, The next function will be selected. But the defrosting internal needs to be pressed by the 'Set' key and the 'Def' key at the same time.
- Press the 'Set' key to select a function, and then adjust the required value of the direct parameter with the 'Up' key or the 'Down' one. At last, press the 'SET' key again to finalize the selected set value. Otherwise the initial setting of the unit continues to work toward the value of the previous settings.
- A function needs to be corrected, press the 'Up' or the 'Down' one. Consequently a status light of the function will be blanking. It means that the correction is working out now.
- Although either a function has been selected by the 'Set' key, or the set values has been corrected, and finalized by the 'Set' key, there is no change on the window. After 20 seconds, the mode will automatically be returned to a position that the present temperature is shown on the window.
- In case of a manual operation, press the 'Set' key for 5 seconds to start the defrosting function of all the related temperature controllers. In addition, an automatic operation also applies to the same way. The precedent defrosting performances will also be all returned to the mode of compressor when the last temperature controller completes the draining function.
- Right from the moment when the power has been switched on, the defrosting interval repeatedly tracks the setting values of a defrosting function. The actual defrosting time by no means affects the settings of the defrosting interval, in the mean time the 'DEF' will be shown on the window for the extended 10 minutes while the defrosting function and the draining function is performing. And also, the mode of the temperature performs as usual during the extended 10 minutes.
- When the setting of predetermined, defrosting completion is higher than the temperature that the sensor for a defrosting mode detects actually, the defrosting function of either an automatic or the one of a manual starts its operation. On the contrary it is lower than the temperature, the only draining time is controlled. Press the 'Down' key under the mode of present temperature and then, the present temperature of the defrosting sensor will be checked.
- Connect the signal wires of the No.7 and No.8 so as to link a temperature controller to the other one. The way of the connection must be parallel with same numbers.
- The defrosting mode must be based on an 'Electric Heater' only.

Mod. : Aum-2KND2SI

No.	Status Light	Mode	Working Range	Initial Settings	Unit	Apply	Definition
1.	(1)	S. V.	-40.0-50.0	5.0	°C	Comp.	S. V. : The value of selection
2.	(2)	Dif.	(0.0-12.7)	(1.5)	°C	S. V.	Dif. : Differential
3.	(3)	Int.	0 - 255	n004	Hour	Defrosting	Int. : Interval of defrosting cycle
4.	(4)	Dry	0 - 15	10	Minute	Draining Time	* DRY : Drain
5.	(5)	Ca.	+/- (0.0-6.3)	0.0	°C	Sensors	Ca. : Calibration
6.	(6)	Def	-40.0-50.0	8.0	°C	DC	DC : Defrosting completion
7.	(7)	T. S.	01 - 63	30	Minute	Defrosting	T.S. : Defrosting completion by time set
8.	(8)	F. S.	-	-	-	-	Fault of Sensor
9.	(9)	ON	-	-	-	Comp.	Comp. : Compressor

- The light is lit while the compressor is performing.

Mod. : Aum-2KND2S/i



Open show case(Horizontal Type)



Main body



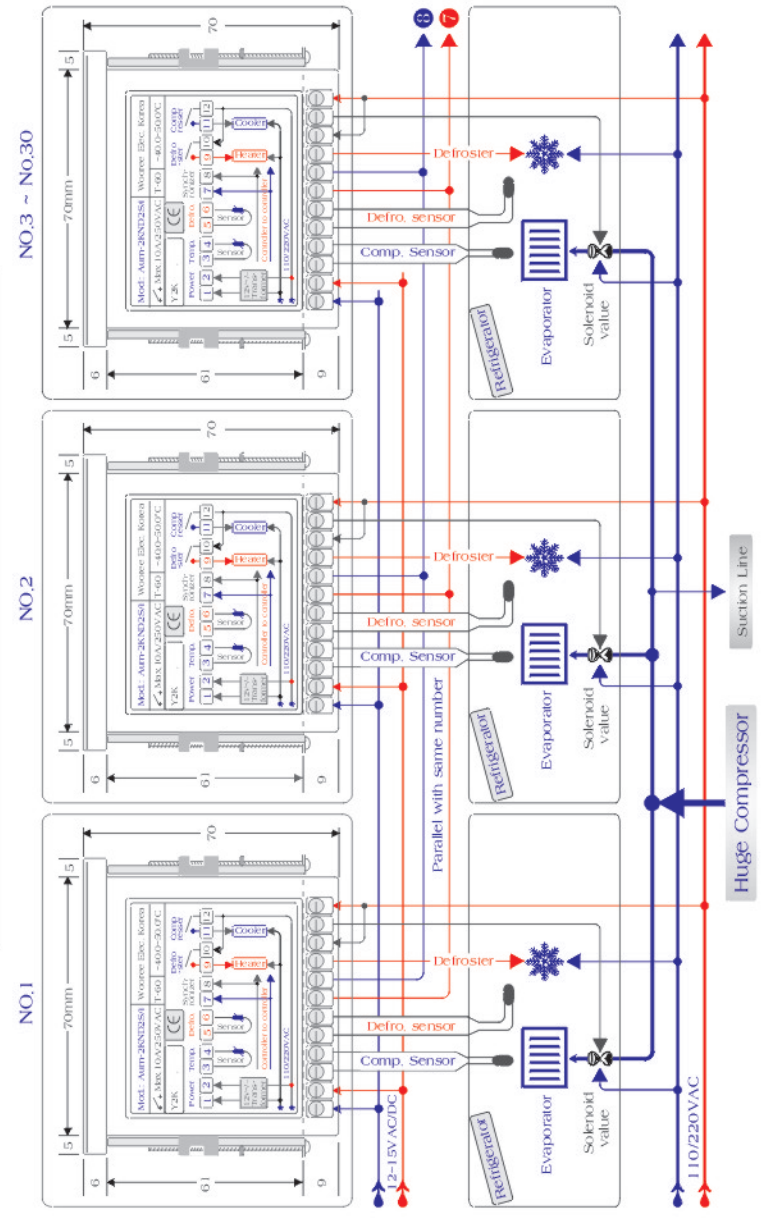
Open Show case(Vertical Type)



Main body

Maxthermo-Gitta Corp.

Model : Aum-2KND2S/i Diagram for "Open show case"



Maxthermo-Gitta Corp.

Notice : it should be built for one Huge compressor to operate various cooling units. At that moment, its de-frosting cycle should operated by each unit and only defrosting stage should start and end simultaneously.
warning : When you operate solenoid valve and heater, you have to use extra power contactor according to its electric capacity.